

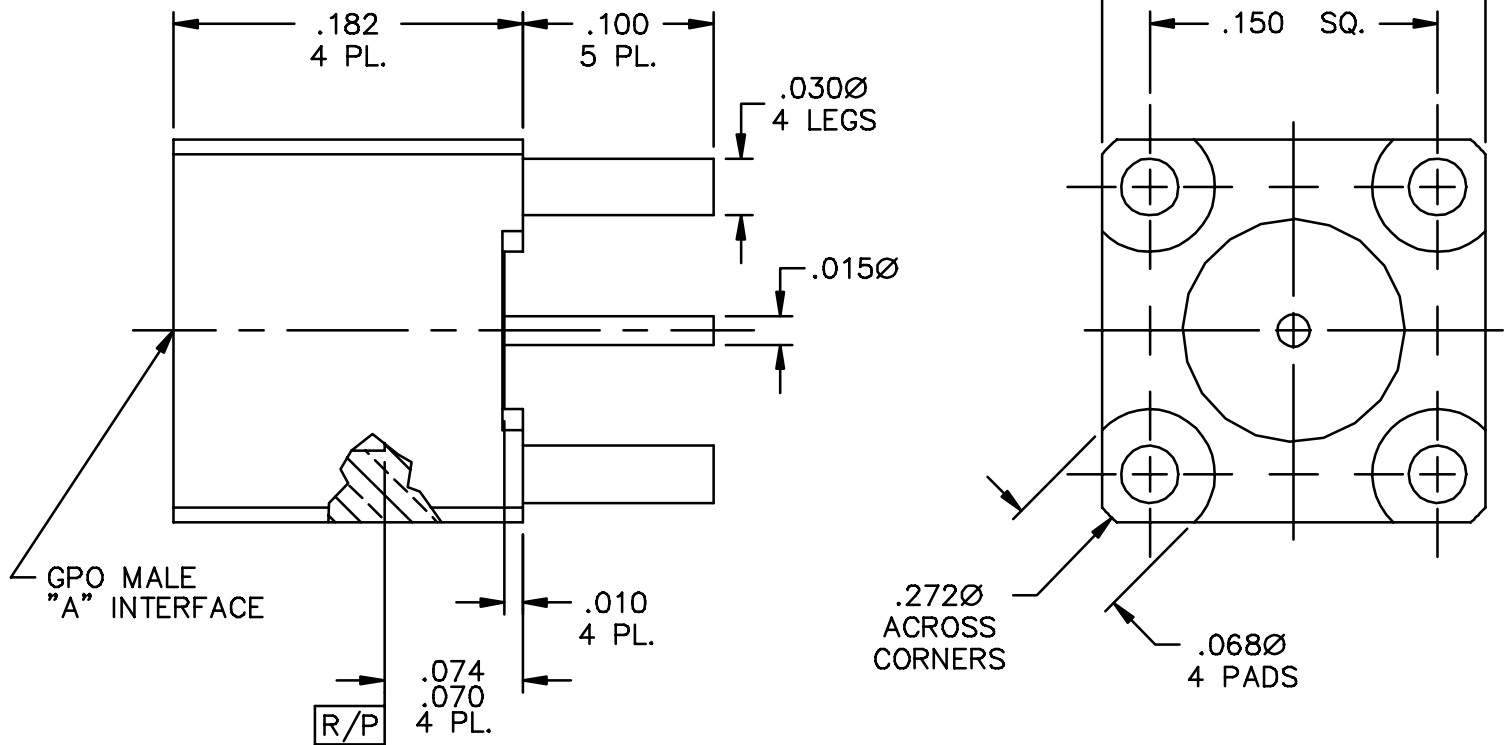
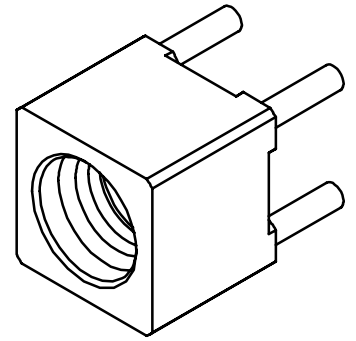
| CATALOG NUMBER | "A" INTERFACE |
|----------------|----------------|
| A008-L13-03 | FULL DETENT |
| A008-L14-03 | LIMITED DETENT |
| A008-L15-03 | SMOOTH BORE |

MATERIAL AND FINISH

CENTER CONTACT
AND HOUSING:BeCu; GOLD PLATE 50-100 μ INCHES
OVER NICKEL PLATE 50 μ INCHES MIN.

DIELECTRIC:

ULTEM 1000 (POLYETHERIMIDE)



GPO MALE
STRAIGHT TO P.C.B.
(TAB DETENT)

IDENT CODE:
82316

REVISION: A

**GILBERT
ENGINEERING**

SOURCE FILE: SK-1995

DWG. NO.: OL-A008-L1X-03

ASSY. PROC.: -