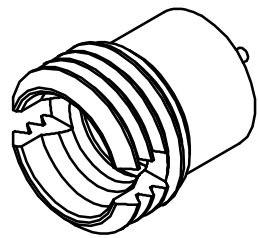
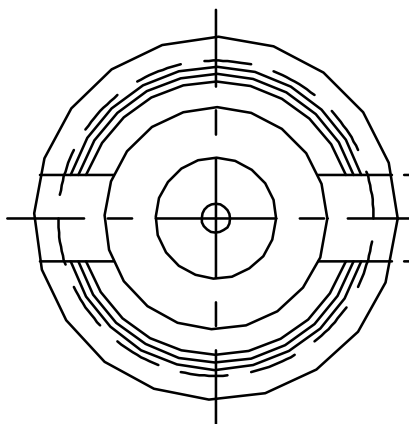


CATALOG NUMBER	"A" INTERFACE
0119-258-3-FD	FULL DETENT
0119-258-3-LD	LIMITED DETENT
0119-258-3-SB	SMOOTH BORE



MATERIAL AND FINISH

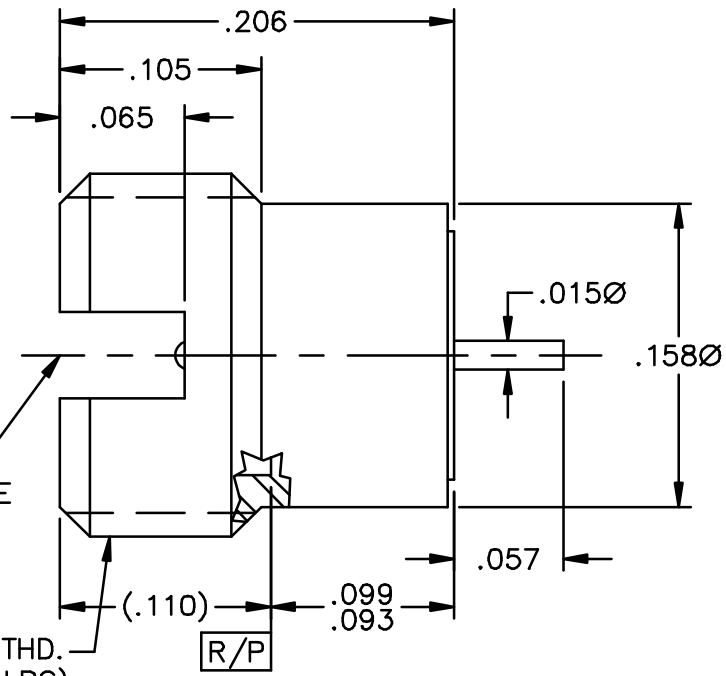
SHROUD AND BUSHING: CRES 303; PASSIVATED
 OUTER RING AND IRON-NICKEL-COBALT SEALING ALLOY
 CENTER CONTACT: (KOVAR); GOLD PLATE
 DIELECTRIC: CORNING 7070 GLASS



.045 DRIVER SLOT

GPO MALE "A" INTERFACE

#10-48 UNS-2A THD.
(TORQUE 6-8 IN-LBS)

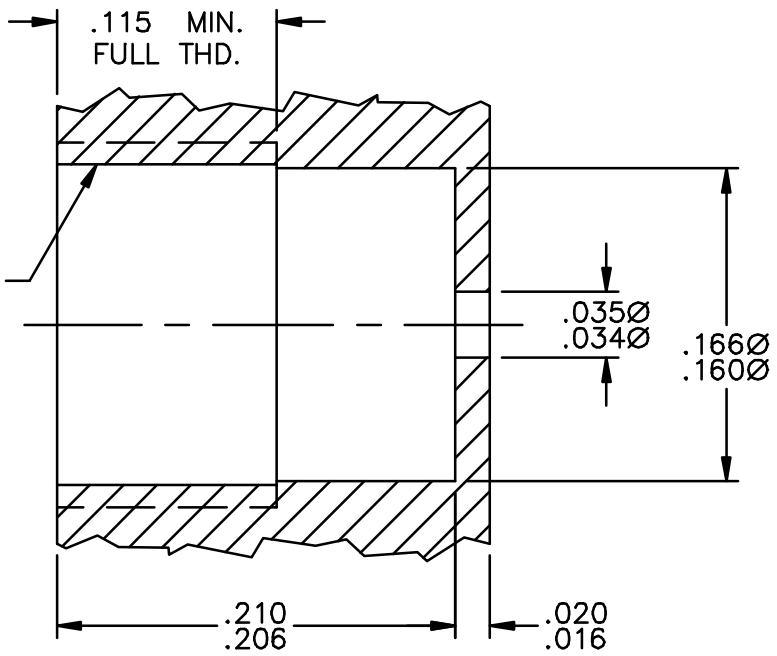


RECOMMENDED MOUNTING HOLE

#10-48 UNS-2B THD.

RECOMMENDED TOOLING:

- STARTING TAP L091-A99-01
- BOTTOM TAP L091-A99-02
- THREAD-IN DRIVER A097-A99-01 FULL DETENT
- A097-A99-02 LIMITED DETENT
- A097-A99-03 SMOOTH BORE



This drawing and any data contained herein is the property of Corning Gilbert Inc., and constitutes and contains proprietary and confidential information. Neither receipt nor possession of this drawing confers or transfers any right to duplicate, use or disclose any information contained herein except as expressly authorized by Corning Gilbert Inc.

GPO MALE THREAD-IN
NON-HERMETIC STRAIGHT
TERMINAL (TAB DETENT)

IDENT CODE:
82316
REVISION: G

Corning Gilbert Inc.