

REV.	DESCRIPTION	DATE	BY
C	SEE ECO GM-8547	8/31/98	JRM

MATERIAL AND FINISH

HOUSING AND BUSHING:

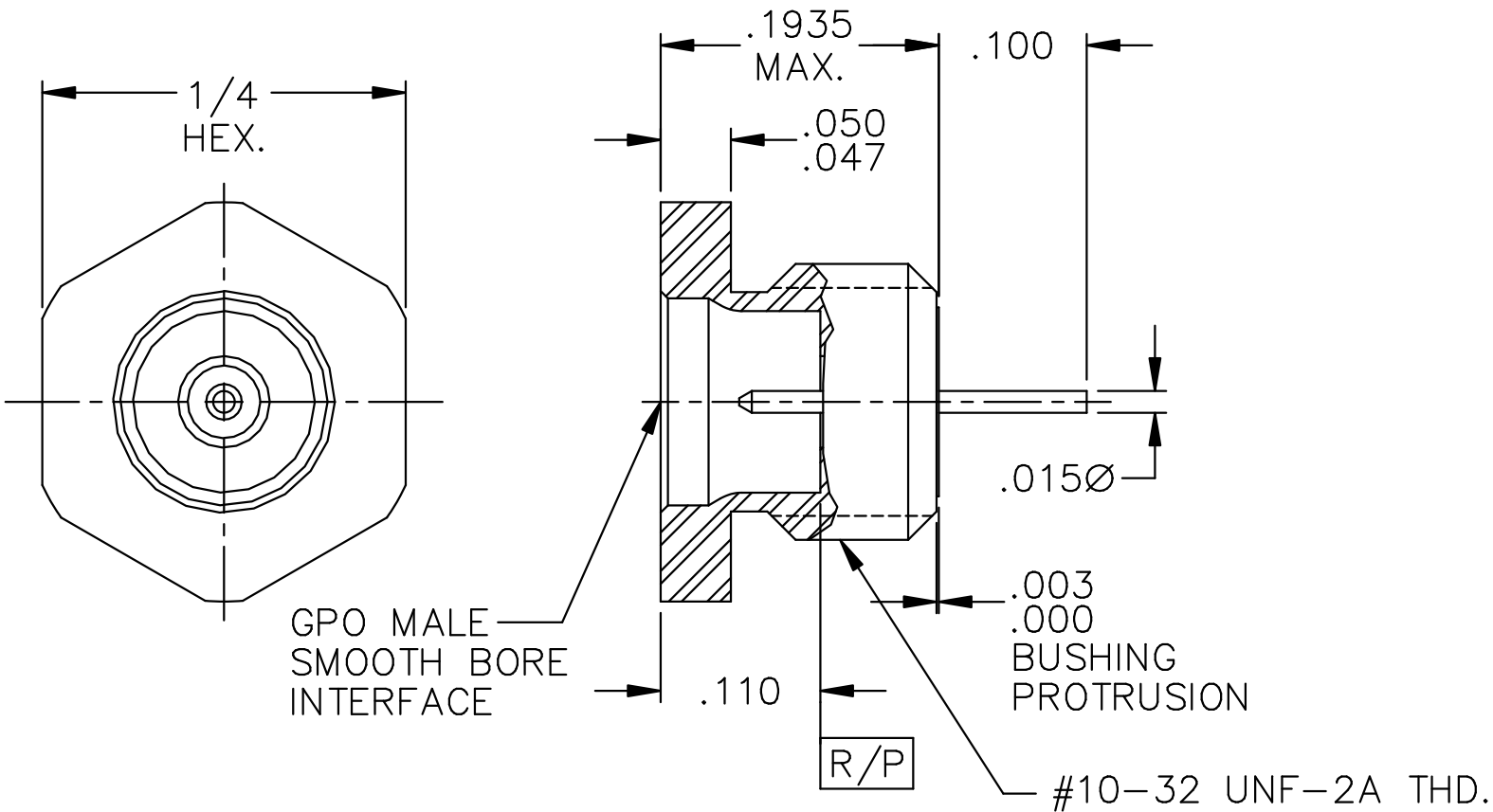
CRES 303 PER ASTM A 484 AND ASTM A 582 OR ASTM A 555 AND ASTM A 581. PASSIVATE PER MIL-F-14072 E300.

PIN CONTACT:

BERYLLIUM COPPER PER ASTM B 196 AND/OR ASTM B 197. GOLD PLATE PER MIL-G-45204; TYPE I, GRADE C, CLASS 1. OVER NICKEL PER QQ-N-290A; CLASS 1; 50 MICRONS MIN.

DIELECTRICS:

VIRGIN PTFE FLUOROCARBON PER ASTM D 1710 AND ASTM D 1457.



ALL DIMENSIONS ARE IN INCHES

CAT. NO. 0119-782-3

CODE IDENT NO.
82316

GILBERT ENGINEERING CO., INC.

BY

DATE

TITLE

DRAWN: DES

4/6/93

OUTLINE DRAWING FOR
GPO MALE SMOOTH BORE
THREAD-IN STRAIGHT TERMINAL

ASSEMBLY PROCEDURES: NONE

DWG. NO.

OL-0119-782-3

REV
C

SOURCE FILE: MECR #580

SHT. 1 OF 1