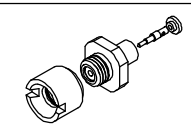
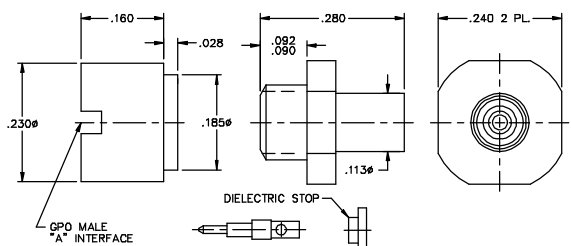


DATE REVISED: 8/13/00

CATALOG NUMBER	"A" INTERFACE
A016-D73-01	FULL DETENT
A016-D74-01	LIMITED DETENT
A016-D78-01	CATCHERS MITT

MATERIAL AND FINISH
 CENTER CONTACT, SHROUD, AND HOUSING: BeCu; GOLD PLATE 50-100 MICRONS OVER NICKEL PLATE 50 MICRONS MIN.
 DIELECTRIC: VIRGIN PTFE (TEFLON)
 DIELECTRIC STOP: TORLON (POLYAMIDE-IMIDE)

RECOMMENDED MOUNTING HOLE

CABLE PREPARATION

This drawing and any data contained herein is the property of Corning Gilbert Inc., and constitutes and contains proprietary and confidential information. Neither receipt nor possession of this drawing confers or transfers any right to duplicate, use or disclose any information contained herein except as expressly authorized by Corning Gilbert Inc.

GPO MALE BULKHEAD MOUNT TO .086 S/R CABLE (TAB DETENT)	IDENT CODE: 82316	Corning Gilbert Inc.
	REVISION: B	

SOURCE FILE: MECR# 1599	DWG. NO.: OL-A016-D7X-01	ASSY. PROC.: AP01-056
-------------------------	--------------------------	-----------------------