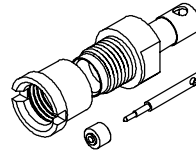


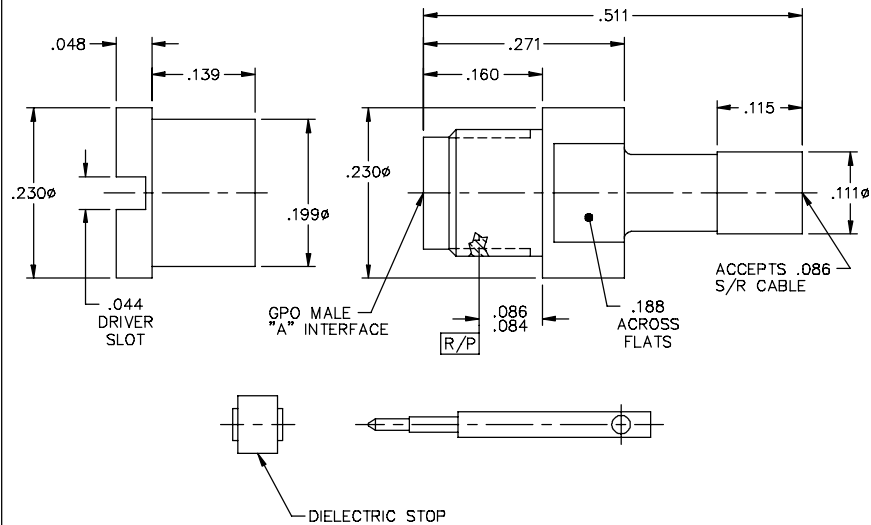
DATE REVISED: 11/8/06

CATALOG NUMBER	"A" INTERFACE
A016-D83-01	FULL DETENT
A016-D84-01	LIMITED DETENT
A016-D86-01	CATCHERS MITT
A016-D87-01	MODIFIED CATCHERS MITT



MATERIAL AND FINISH

FRONT NUT: GRES 303; PASSIVATED
 BULKHEAD AND CENTER CONTACT: BeCu; GOLD PLATE 50-100 MICRONS OVER NICKEL PLATE 50 MICRONS MIN.
 DIELECTRIC: ULTEM 1000 (POLYETHERIMIDE)



This drawing and any data contained herein is the property of Corning Gilbert Inc., and constitutes and contains proprietary and confidential information. Neither receipt nor possession of this drawing confers or transfers any right to duplicate, use or disclose any information contained herein except as expressly authorized by Corning Gilbert Inc.

GPO MALE BULKHEAD
 MOUNT TO .086
 S/R CABLE (TAB DETENT)

IDENT CODE:
 82316
 REVISION: D

Corning Gilbert Inc.

SOURCE FILE: MECR# 2151 DWG. NO.: OL-A016-D8X-01 ASSY. PROC.: AP01-050