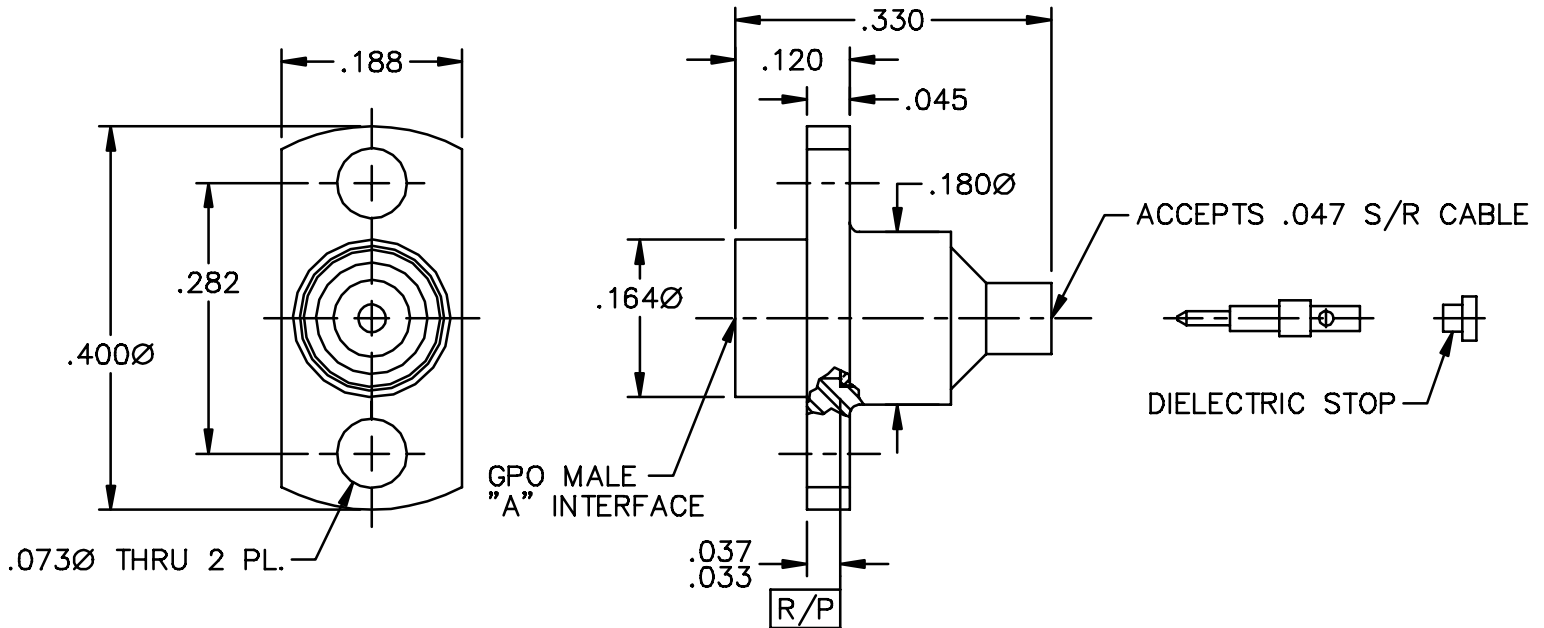
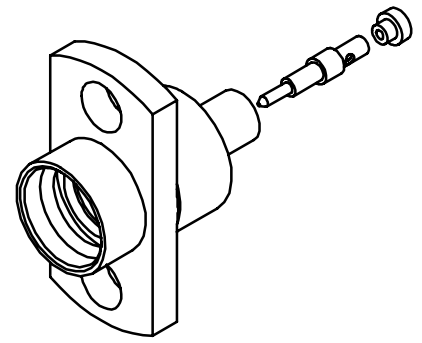


CATALOG NUMBER	"A" INTERFACE
A001-B83-02	FULL DETENT
A001-B84-02	LIMITED DETENT
A001-B85-02	SMOOTH BORE

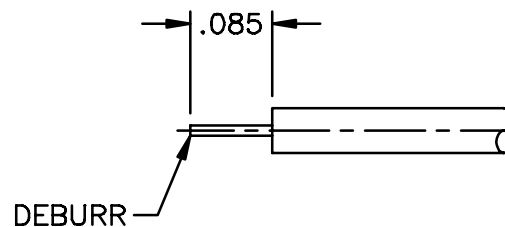
A001-B83-02	FULL DETENT
A001-B84-02	LIMITED DETENT
A001-B85-02	SMOOTH BORE

MATERIAL AND FINISH

GPO HOUSING:	CRES 303; PASSIVATED
CENTER CONTACT:	BeCu; GOLD PLATE 50-100 μ INCHES OVER NICKEL PLATE 50 μ INCHES MIN.
CABLE ADAPTOR:	BRASS; GOLD PLATE 50-100 μ INCHES OVER NICKEL PLATE 50 μ INCHES MIN.
DIELECTRIC:	VIRGIN PTFE (TEFLON)
DIELECTRIC STOP:	TORLON (POLYAMIDE-IMIDE)



CABLE PREPARATION



GPO MALE 2 HOLE
FLANGE MOUNT TO .047
S/R CABLE (TAB DETENT)

IDENT CODE:
82316

REVISION: A

**GILBERT
ENGINEERING**

SOURCE FILE: MECR# 1854

DWG. NO.: OL-A001-B8X-02

ASSY. PROC.: AP01-014