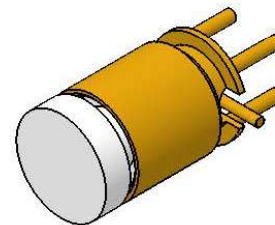


CATALOG NUMBER	"A" INTERFACE
A112-P93-07-T	FULL DETENT
A112-P94-07-T	LIMITED DETENT
A112-P95-07-T	SMOOTH BORE



MATERIAL AND FINISH

CENTER CONTACT AND HOUSING: BeCu; GOLD PLATE 75 MICRONS TYPICAL OVER NICKEL PLATE 100 MICRONS TYPICAL

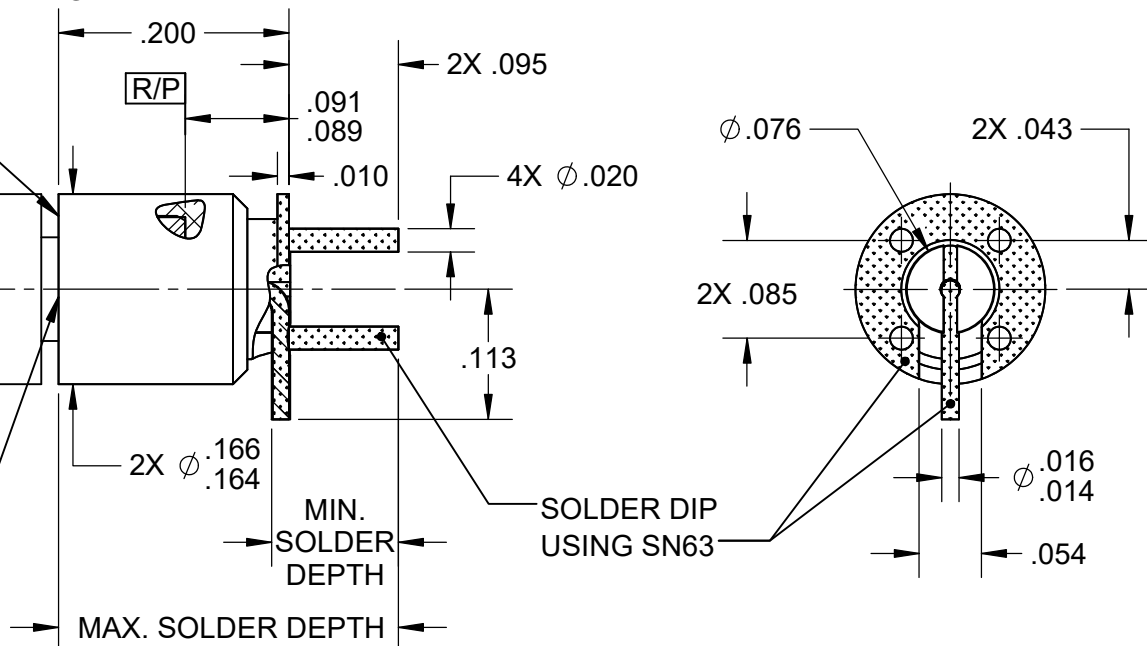
DIELECTRIC: POLYAMIDE-IMIDE

INTERFACE PLUG: VIRGIN PTFE

NO SOLDER ALLOWED IN INTERFACE

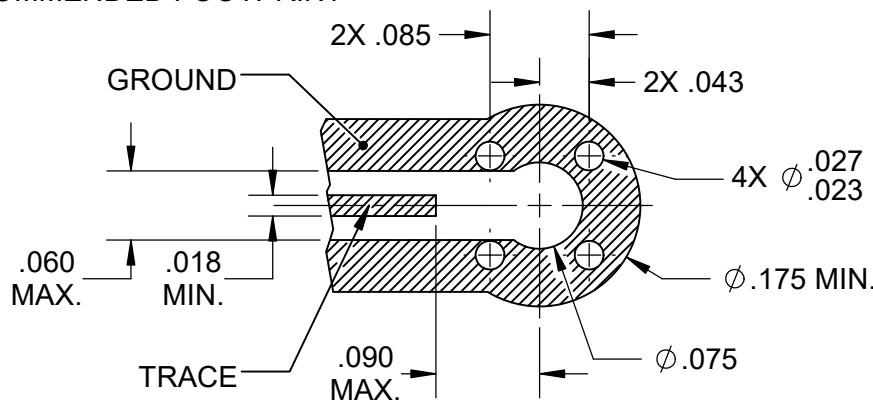
DISPOSABLE INTERFACE PLUG

GPO MALE "A" INTERFACE



NOTE: DIMENSIONS APPLY BEFORE SOLDER DIPPING

RECOMMENDED FOOTPRINT



CORNING RESTRICTED - This drawing and any data contained herein is the proprietary and confidential information of Corning. Neither receipt nor possession of this drawing provides any right to duplicate, use, or disclose any information contained herein except with the express written consent of Corning.
 EXPORT CONTROL - This document contains information within the purview of the Export Administration Regulations (EAR), 15 CFR 730-774, and may be export controlled.

APPROX. WEIGHT: 0.7819 grams	SIGNATURES	INIT	DATE:
TOLERANCE: .XX ±.010 .XXX ±.005 ANGULAR ±5°	DRAWN: MV		01/31/2017
	CHECKED: DMG		
	APPROVED: TEF		

GPO MALE PCB MOUNT (TAB DETENT) WITH INTERFACE PLUG (SOLDER DIPPED)	CAGE CODE: 82316	SCALE: 6:1	CORNING	PLANT OF ORIGIN
	REVISION: A			CORNING PHOENIX PLANT: (623)245-1050 CUSTOMER SERVICE: (800) 651-8869
SOURCE FILE: SK-5905	DWG. NO.:	OL-A112-P9X-07-T	ASSY. PROC.:	-