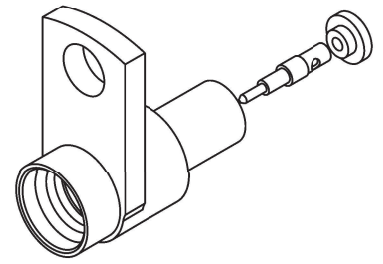
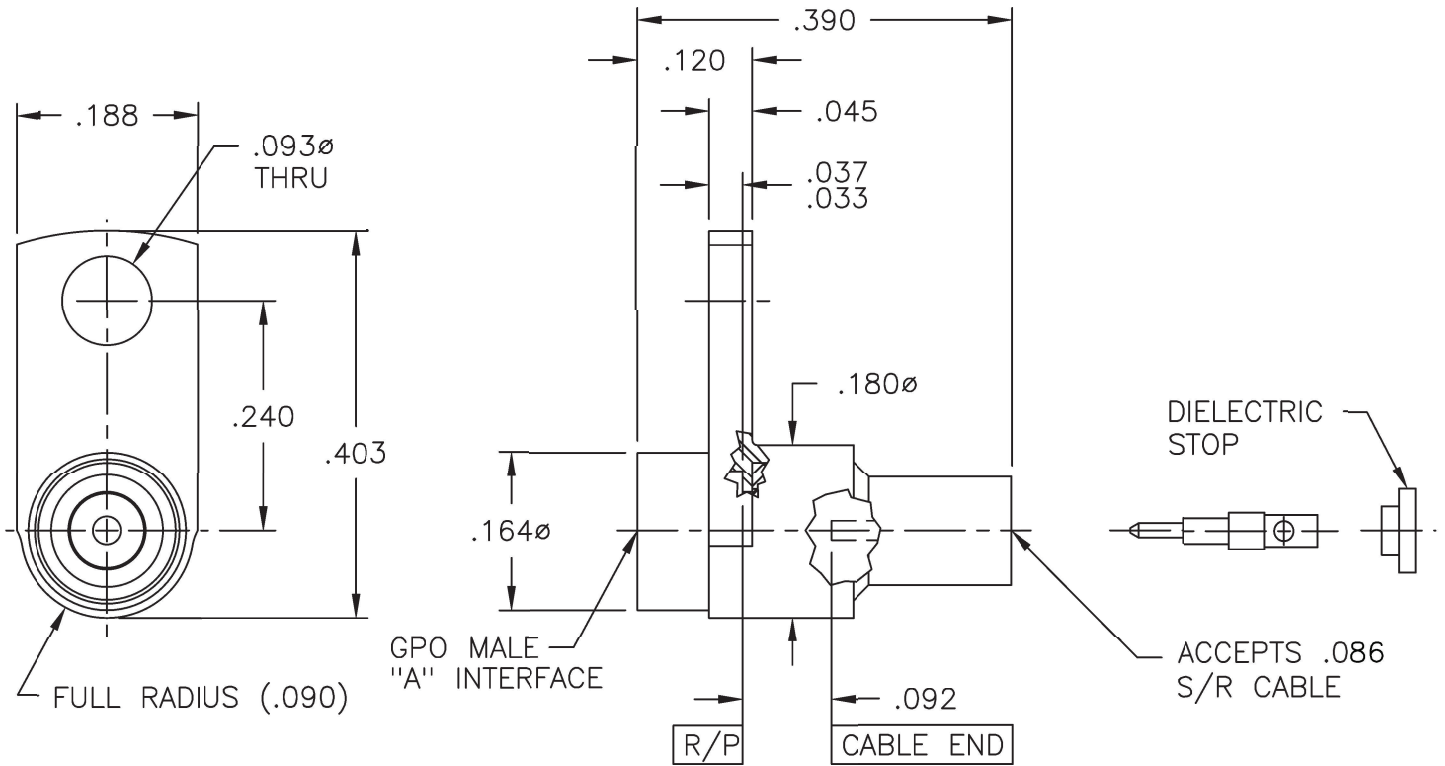


CATALOG NUMBER	"A" INTERFACE
A014-D83-04	FULL DETENT
A014-D84-04	LIMITED DETENT
A014-D85-04	SMOOTH BORE



MATERIAL AND FINISH

HOUSING: CRES 303; PASSIVATED
 CENTER CONDUCTOR, BeCu; GOLD PLATE 50-100 MICRONS
 AND CABLE ADAPTER: OVER NICKEL PLATE 50 MICRONS MIN.
 DIELECTRIC: VIRGIN PTFE
 DIELECTRIC STOP: POLYAMIDE-IMIDE



This drawing and any data contained herein is the property of Corning Gilbert Inc., and constitutes and contains proprietary and confidential information. Neither receipt nor possession of this drawing confers or transfers any right to duplicate, use or disclose any information contained herein except as expressly authorized by Corning Gilbert Inc.

GPO MALE FLANGE
 MOUNT TO .086 S/R
 CABLE (TAB DETENT)

IDENT CODE:
 82316
 REVISION: A

Corning Gilbert Inc.

SOURCE FILE: SK-2292

DWG. NO.: OL-A014-D8X-04

ASSY. PROC.: IS-7051-9