

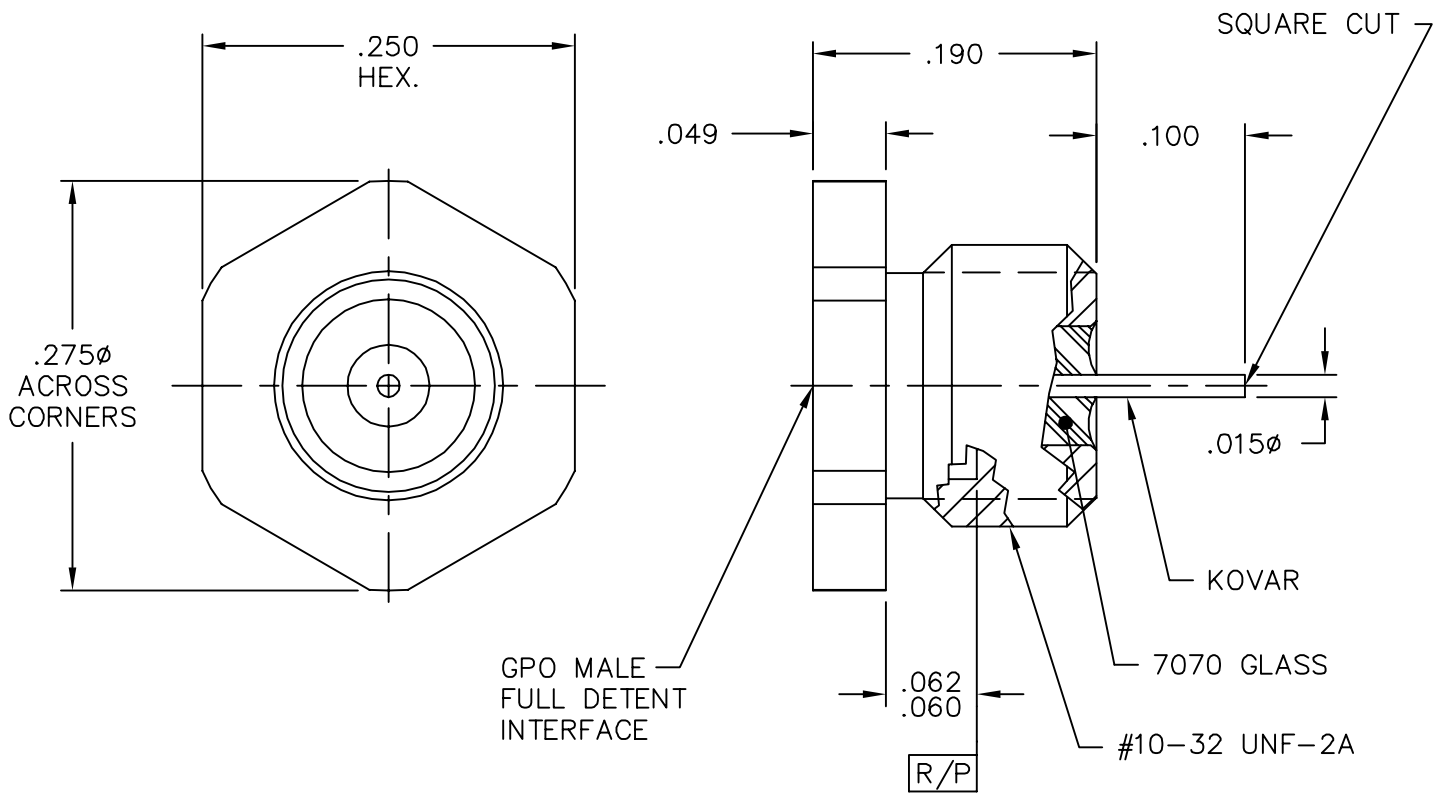
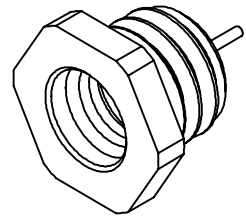
CATALOG NUMBER

A007-L43-14

MATERIAL AND FINISH

CENTER CONTACT
AND SHROUD:
DIELECTRIC:

IRON-NICKEL-COBALT SEALING ALLOY
(KOVAR) PER ASTM F 15; GOLD PLATE
CORNING 7070 GLASS OR EQUIVALENT



NOTES:

- 1. RECOMMENDED TORQUE IS 4-6 IN/LBS.

This drawing and any data contained herein is the property of Corning Gilbert Inc., and constitutes and contains proprietary and confidential information. Neither receipt nor possession of this drawing confers or transfers any right to duplicate, use or disclose any information contained herein except as expressly authorized by Corning Gilbert Inc.

GPO MALE FULL DETENT
THREAD-IN SHROUD
STRAIGHT TERMINAL

IDENT CODE:
82316

REVISION: B1

Corning Gilbert Inc.

SOURCE FILE: MECR# 2718

DWG. NO.:

OL-A007-L43-14

ASSY. PROC.:

-