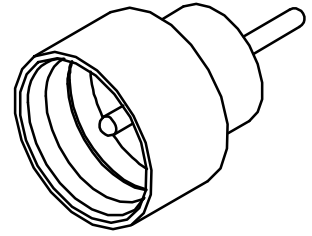


CATALOG NUMBER	"L" LENGTH	CONTACT END
A007-L44-02-TAB-R	SEE CHART	RADIUS=R
A007-L44-02-TAB-S	SEE CHART	SQUARE=S

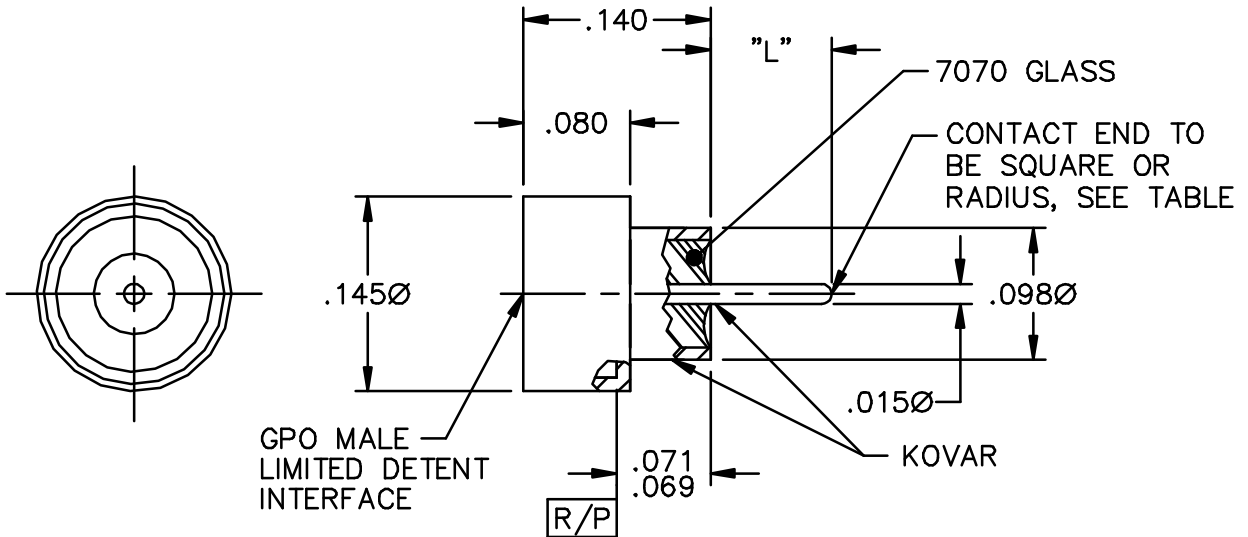
TAB EQUALS "L" X 10<sup>3</sup> IN.



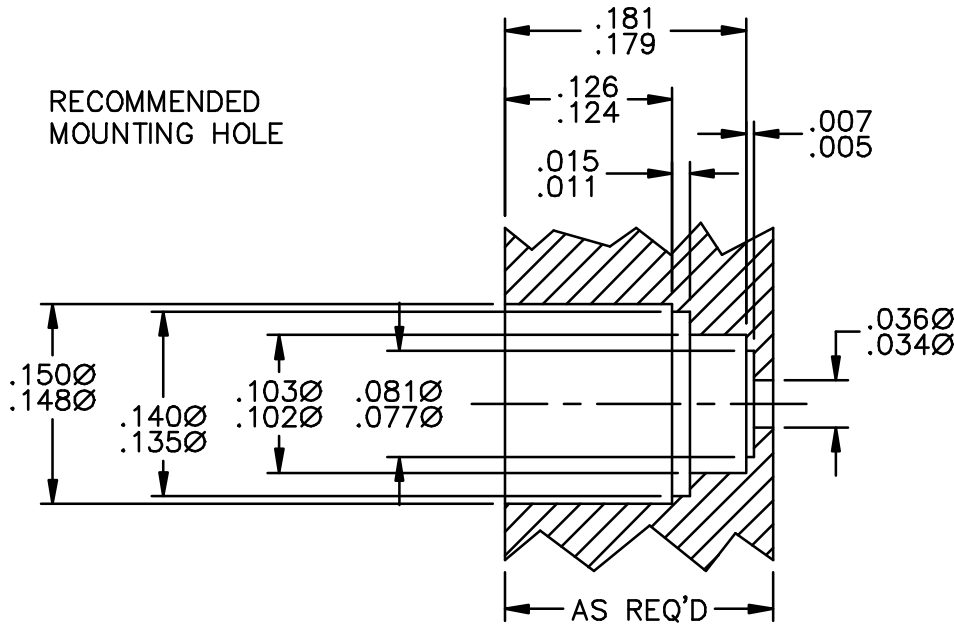
LENGTH CHART
.030
.035
.040
.045
.050
.055
.060
.065
.070
.075
.080
.085
.090
.095
.100
.105
.110
.115
.120
.125
.130
.135
.145

HOUSING AND CENTER CONTACT: IRON-NICKEL-COBALT SEALING ALLOY (KOVAR) PER ASTM F 15; GOLD PLATE

DIELECTRIC: CORNING 7070 GLASS



RECOMMENDED MOUNTING HOLE



This drawing and any data contained herein is the property of Corning Gilbert Inc., and constitutes and contains proprietary and confidential information. Neither receipt nor possession of this drawing confers or transfers any right to duplicate, use or disclose any information contained herein except as expressly authorized by Corning Gilbert Inc.

GPO MALE LIMITED DETENT  
SOLDER-IN  
HERMETIC SHROUD

IDENT CODE:  
82316

REVISION: H

**Corning Gilbert Inc.**

SOURCE FILE: MECR# 2775

DWG. NO.: OL-A007-L44-02-TAB

ASSY. PROC.: -