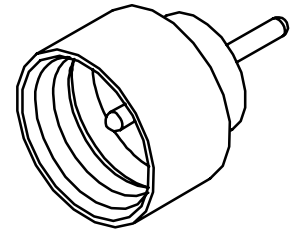


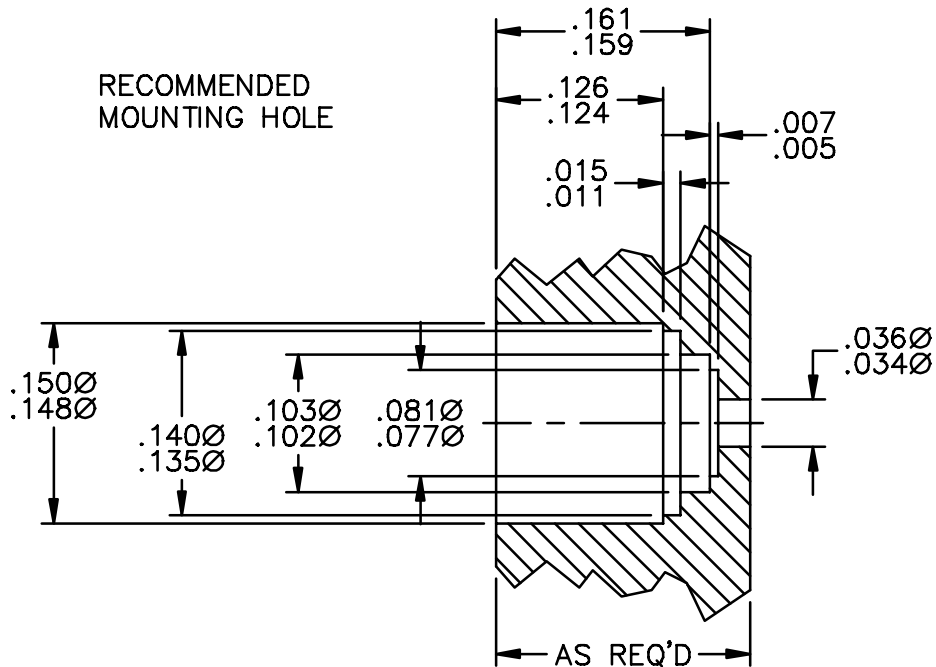
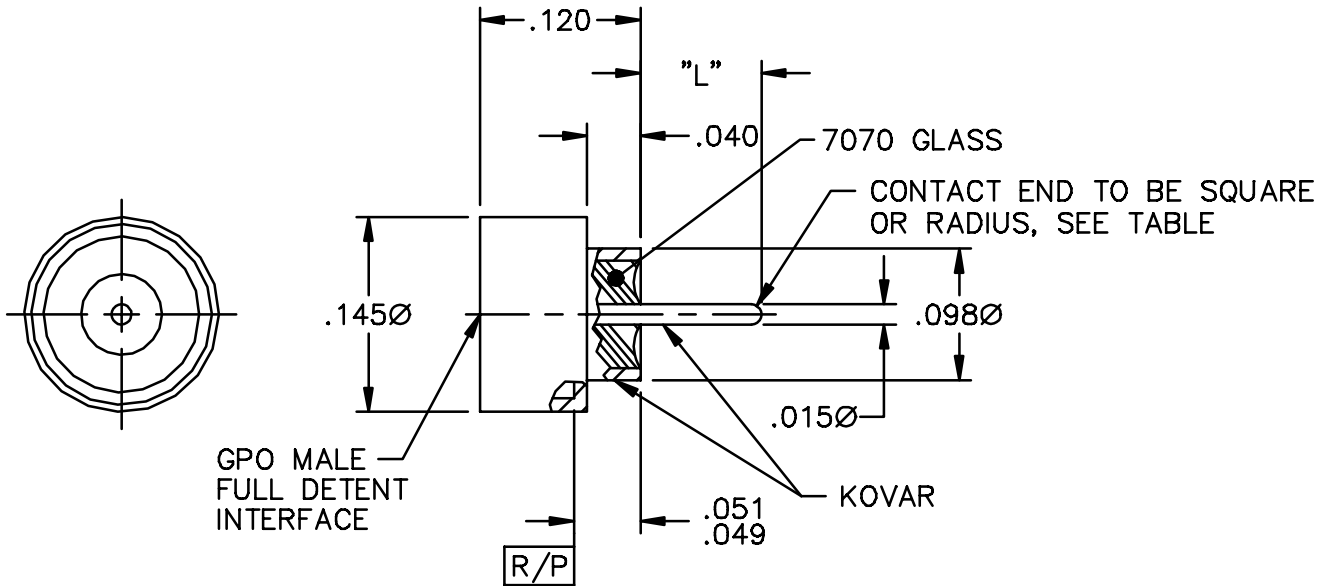
CATALOG NUMBER	"L" LENGTH	CONTACT END
A007-L43-04-TAB-R	SEE CHART	R=RADIUS
A007-L43-04-TAB-S	SEE CHART	S=SQUARE

TAB EQUALS "L" X 10<sup>3</sup> IN.



LENGTH CHART
.030
.035
.040
.045
.050
.055
.060
.065
.070
.075
.080
.085
.090
.095
.100
.105
.110
.115
.120
.125
.130
.135
.145

HOUSING: IRON-NICKEL-COBALT SEALING ALLOY (KOVAR); GOLD PLATE  
 DIELECTRIC: CORNING 7070 GLASS OR EQUIVALENT



This drawing and any data contained herein is the property of Corning Gilbert Inc., and constitutes and contains proprietary and confidential information. Neither receipt nor possession of this drawing confers or transfers any right to duplicate, use or disclose any information contained herein except as expressly authorized by Corning Gilbert Inc.

GPO MALE FULL DETENT  
 SOLDER-IN  
 HERMETIC SHROUD

IDENT CODE:  
 82316

REVISION: E

**Corning Gilbert Inc.**

SOURCE FILE: MECR# 2761

DWG. NO.: OL-A007-L43-04-TAB

ASSY. PROC.: -