

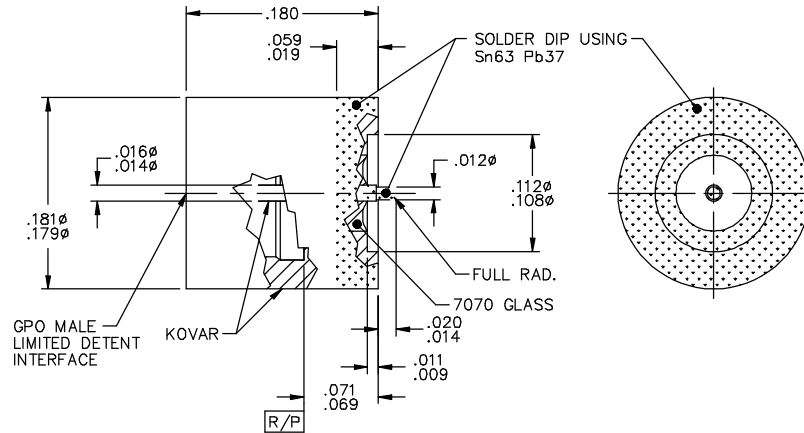
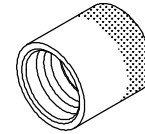
DATE REVISED: 8/16/05

CATALOG NUMBER

A007-L44-13-T

MATERIAL AND FINISH

HOUSING AND CENTER CONTACT: IRON-NICKEL-COBALT SEALING ALLOY (KOVAR) PER ASTM F 15; GOLD PLATE  
 DIELECTRIC: CORNING 7070 GLASS



This drawing and any data contained herein is the property of Corning Gilbert Inc., and constitutes and contains proprietary and confidential information. Neither receipt nor possession of this drawing confers or transfers any right to duplicate, use or disclose any information contained herein except as expressly authorized by Corning Gilbert Inc.

GPO MALE LIMITED  
 DETENT SOLDER-IN  
 HERMETIC SHROUD

IDENT CODE:  
 82316  
 REVISION: A

**Corning Gilbert Inc.**

SOURCE FILE: SK-2657

DWG. NO.: OL-A007-L44-13-T

ASSY. PROC.: -