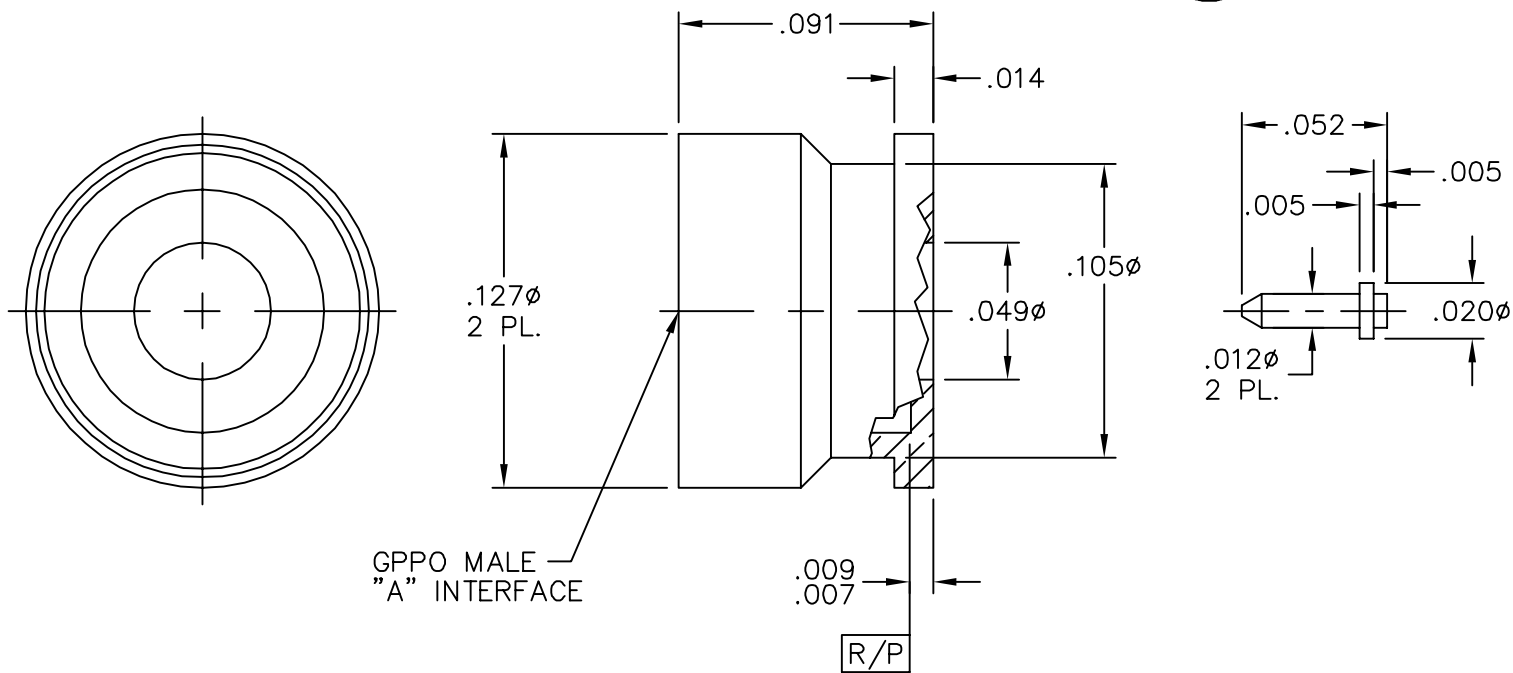
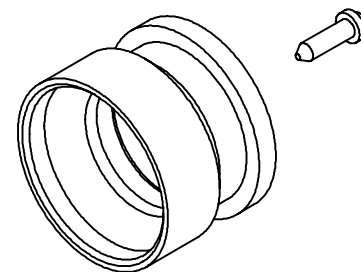


CATALOG NUMBER	"A" INTERFACE
B012-L13-02	FULL DETENT
B012-L15-02	SMOOTH BORE

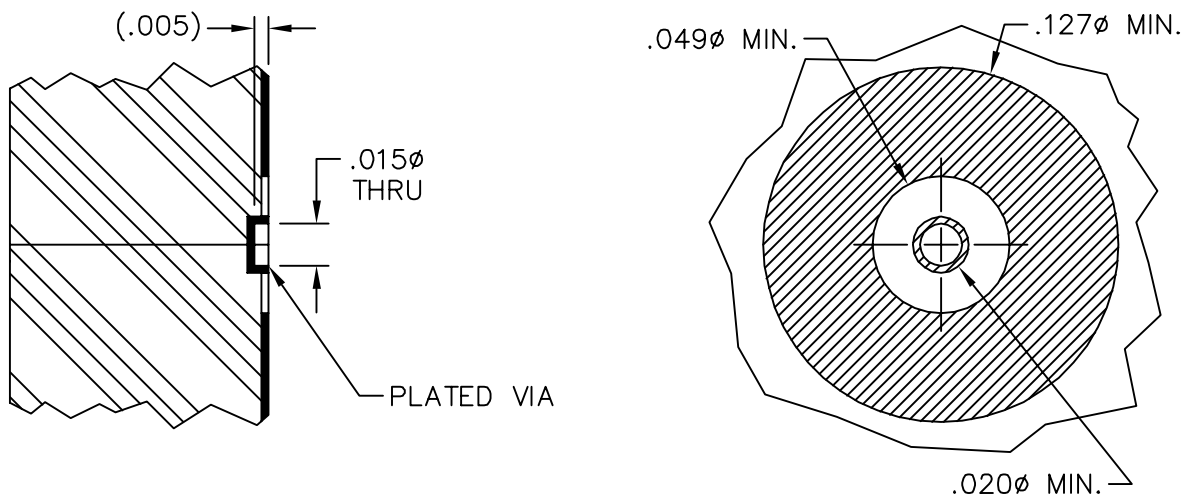
MATERIAL AND FINISH

CENTER CONTACT AND SHROUD:

BeCu; GOLD PLATE 75 MICRONS TYPICAL
OVER NICKEL PLATE 100 MICRONS TYPICAL



RECOMMENDED MOUNTING PATTERN



This drawing and any data contained herein is the property of Corning Gilbert Inc., and constitutes and contains proprietary and confidential information. Neither receipt nor possession of this drawing confers or transfers any right to duplicate, use or disclose any information contained herein except as expressly authorized by Corning Gilbert Inc.

GPPO MALE PCB SURFACE MOUNT
WITH SEPARATE C/C
(TAB DETENT)

IDENT CODE:

82316

REVISION: B1

Corning Gilbert Inc.

SOURCE FILE: MECR# 2736

DWG. NO.:

OL-B012-L1X-02

ASSY. PROC.:

—