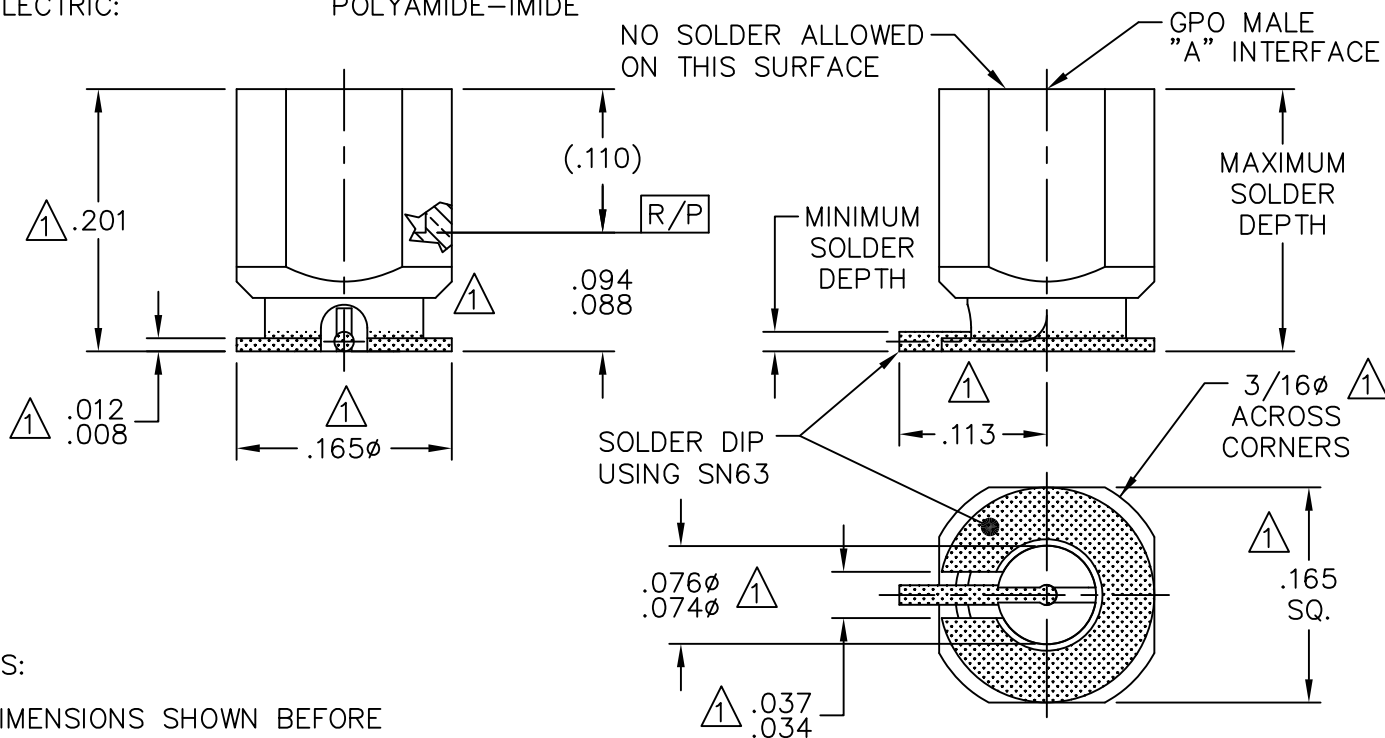
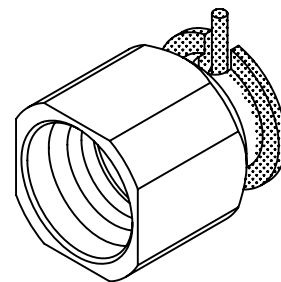


CATALOG NUMBER	"A" INTERFACE
A012-P93-01-T	FULL DETENT
A012-P94-01-T	LIMITED DETENT
A012-P95-01-T	SMOOTH BORE

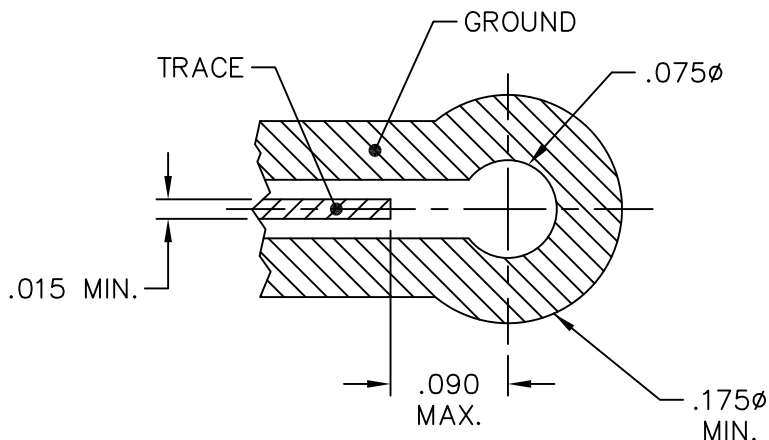
MATERIAL AND FINISH

CENTER CONTACT: BeCu; GOLD PLATE 75 MICROINCHES TYPICAL OVER NICKEL PLATE 100 MICROINCHES TYPICAL
 HOUSING: BRASS; GOLD PLATE 75 MICROINCHES TYPICAL OVER NICKEL PLATE 100 MICROINCHES TYPICAL
 DIELECTRIC: POLYAMIDE-IMIDE



NOTES:
 Δ DIMENSIONS SHOWN BEFORE SOLDER DIP.

RECOMMENDED MOUNTING FOOTPRINT



This drawing and any data contained herein is the property of Corning Gilbert Inc., and constitutes and contains proprietary and confidential information. Neither receipt nor possession of this drawing confers or transfers any right to duplicate, use or disclose any information contained herein except as expressly authorized by Corning Gilbert Inc.

GPO MALE (TAB DETENT)
 STRAIGHT TO COPLANAR
 LAUNCH SOLDER DIPPED

IDENT CODE:
 82316
 REVISION: A

Corning Gilbert Inc.