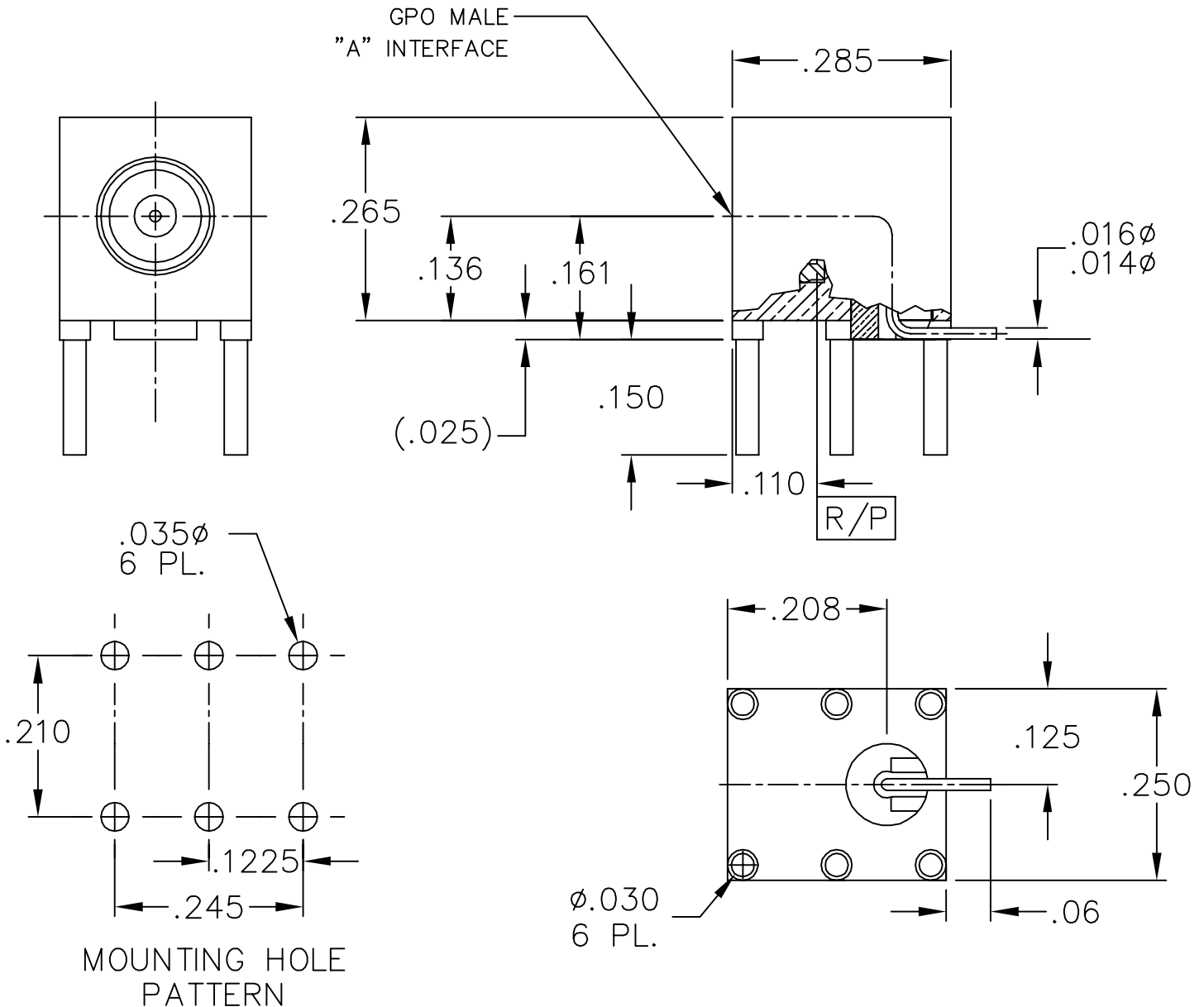


CATALOG NUMBER	"A" INTERFACE
A009-P93-04	FULL DETENT
A009-P94-04	LIMITED DETENT
A009-P95-04	SMOOTH BORE

MATERIAL AND FINISH

SHROUD: CRES 303; PASSIVATED
 CENTER CONTACT, BUSHING, AND HOUSING: BeCu; GOLD PLATE 50-100 MICRONS OVER NICKEL PLATE 50 MICRONS MIN.
 DIELECTRICS: VIRGIN PTFE



CORNING RESTRICTED - This drawing and any data contained herein is the proprietary and confidential information of Corning. Neither receipt nor possession of this drawing provides any right to duplicate, use, or disclose any information contained herein except with the express written consent of Corning. EXPORT CONTROL - This document contains information within the purview of the Export Administration Regulations (EAR), 15 CFR 730-774, and may be export controlled.

GPO MALE R/A
 TO PWB R/A LAUNCH
 (TAB DETENT)

IDENT CODE:
 82316

REVISION: 01

CORNING

SOURCE FILE: SK-4580

DWG. NO.: OL-A009-P9X-04

ASSY. PROC.: -