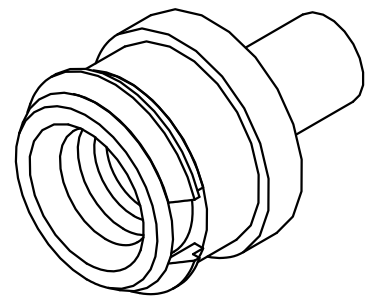
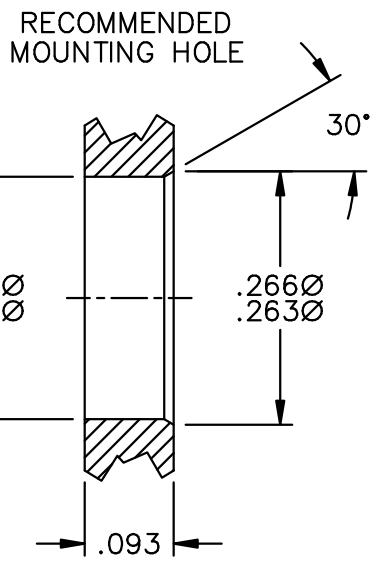
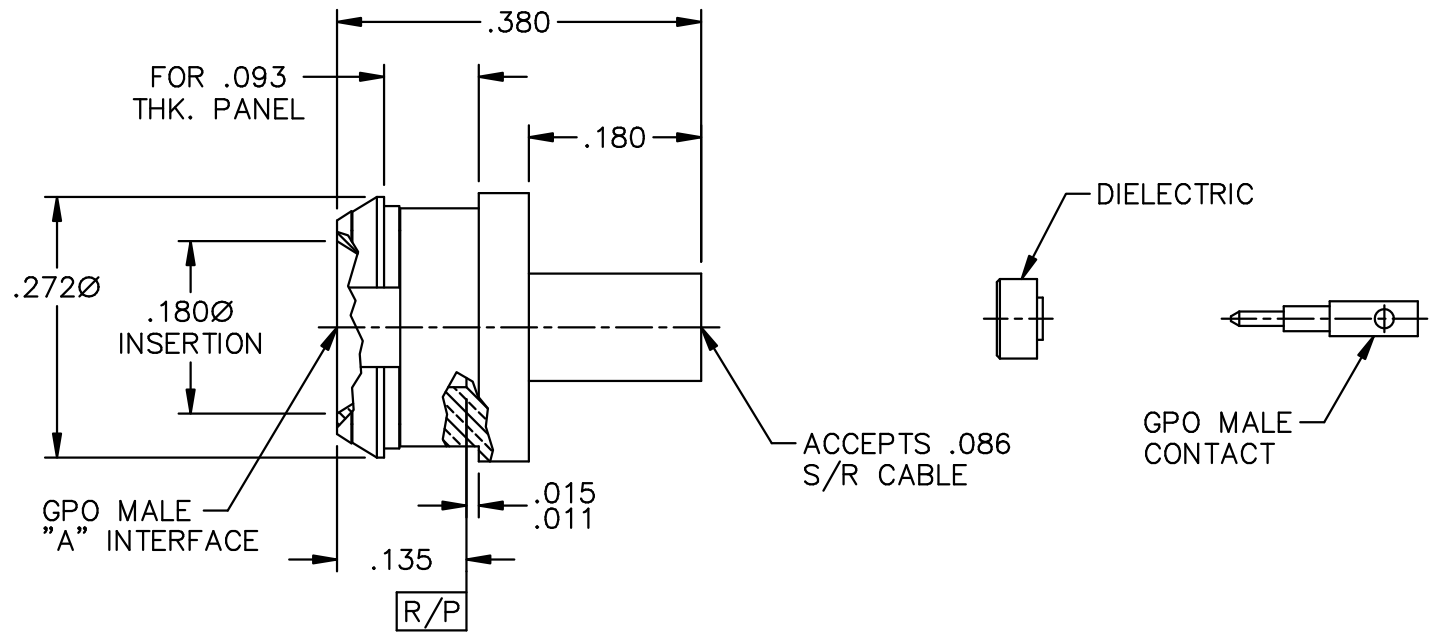


CATALOG NUMBER	"A" INTERFACE
A016-D53-01	FULL DETENT
A016-D54-01	LIMITED DETENT
A016-D55-01	SMOOTH BORE



**MATERIAL AND FINISH**

CENTER CONTACT: BeCu; GOLD PLATE 50-100 MICROINCHES  
 AND SNAP RING: OVER NICKEL PLATE 50 MICROINCHES MIN.  
 HOUSING: BRASS; GOLD PLATE 50-100 MICROINCHES  
 OVER NICKEL PLATE 50 MICROINCHES MIN.  
 DIELECTRIC: VIRGIN PTFE



This drawing and any data contained herein is the property of Corning Gilbert Inc., and constitutes and contains proprietary and confidential information. Neither receipt nor possession of this drawing confers or transfers any right to duplicate, use or disclose any information contained herein except as expressly authorized by Corning Gilbert Inc.

GPO MALE SNAP-IN BULKHEAD MOUNT TO .086 S/R CABLE (TAB DETENT)	IDENT CODE: 82316	<b>Corning Gilbert Inc.</b>
	REVISION: B	

SOURCE FILE: MECR# 1598	DWG. NO.: OL-A016-D5X-01	ASSY. PROC.: AP01-087
-------------------------	--------------------------	-----------------------