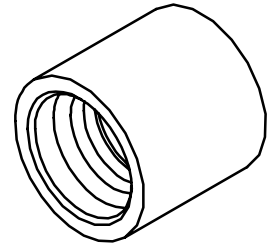
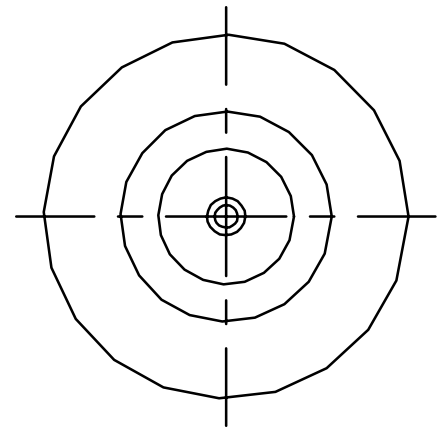
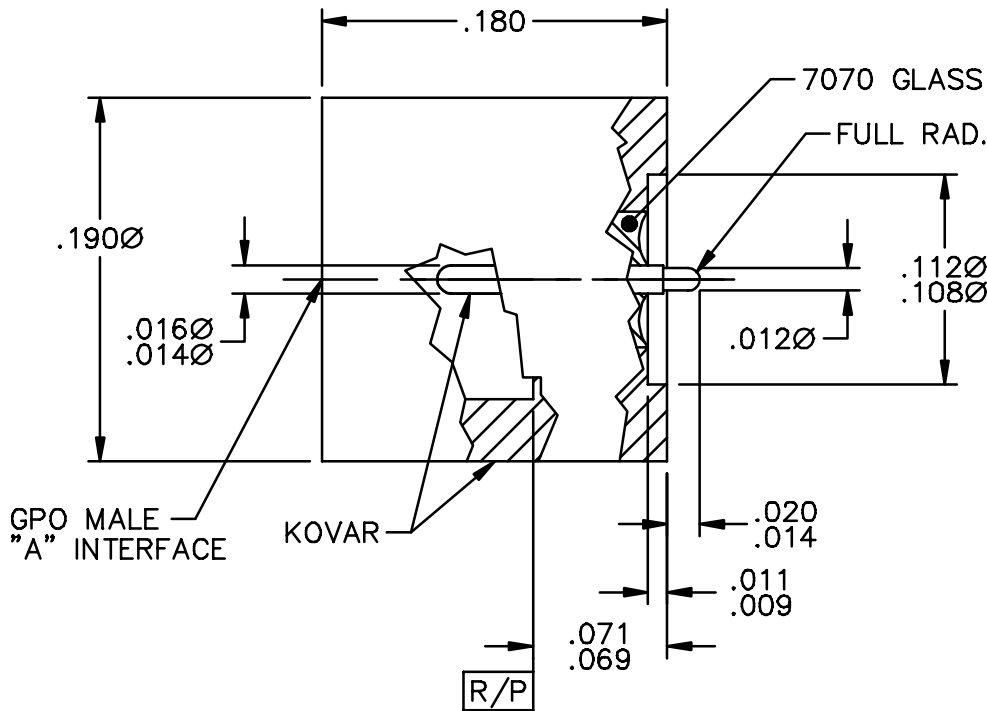


CATALOG NUMBER	"A" INTERFACE
0119-248-1-FD	FULL DETENT
0119-248-1-LD	LIMITED DETENT
0119-248-1-SB	SMOOTH BORE
0119-248-1-CM	CATCHERS MITT



MATERIAL AND FINISH

HOUSING AND CENTER CONTACT: IRON-NICKEL-COBALT SEALING ALLOY (KOVAR) PER ASTM F 15; GOLD PLATE
 DIELECTRIC: CORNING 7070 GLASS



This drawing and any data contained herein is the property of Corning Gilbert Inc., and constitutes and contains proprietary and confidential information. Neither receipt nor possession of this drawing confers or transfers any right to duplicate, use or disclose any information contained herein except as expressly authorized by Corning Gilbert Inc.

GPO MALE SOLDER-IN
 HERMETIC SHROUD
 (TAB DETENT)

IDENT CODE:
 82316

REVISION: F

Corning Gilbert Inc.

SOURCE FILE: SK-1324

DWG. NO.: OL-0119-248-1-TAB

ASSY. PROC.: -