

CATALOG NUMBER

0119-633-3

MATERIAL AND FINISH

HOUSING, BUSHING,
AND NUT:

CRES 303; PASSIVATED

CENTER CONTACT AND
ACCESS CONTACT:

BeCu; GOLD PLATE 75 MICROINCHES TYPICAL
OVER NICKEL PLATE 100 MICROINCHES TYPICAL

DIELECTRICS:

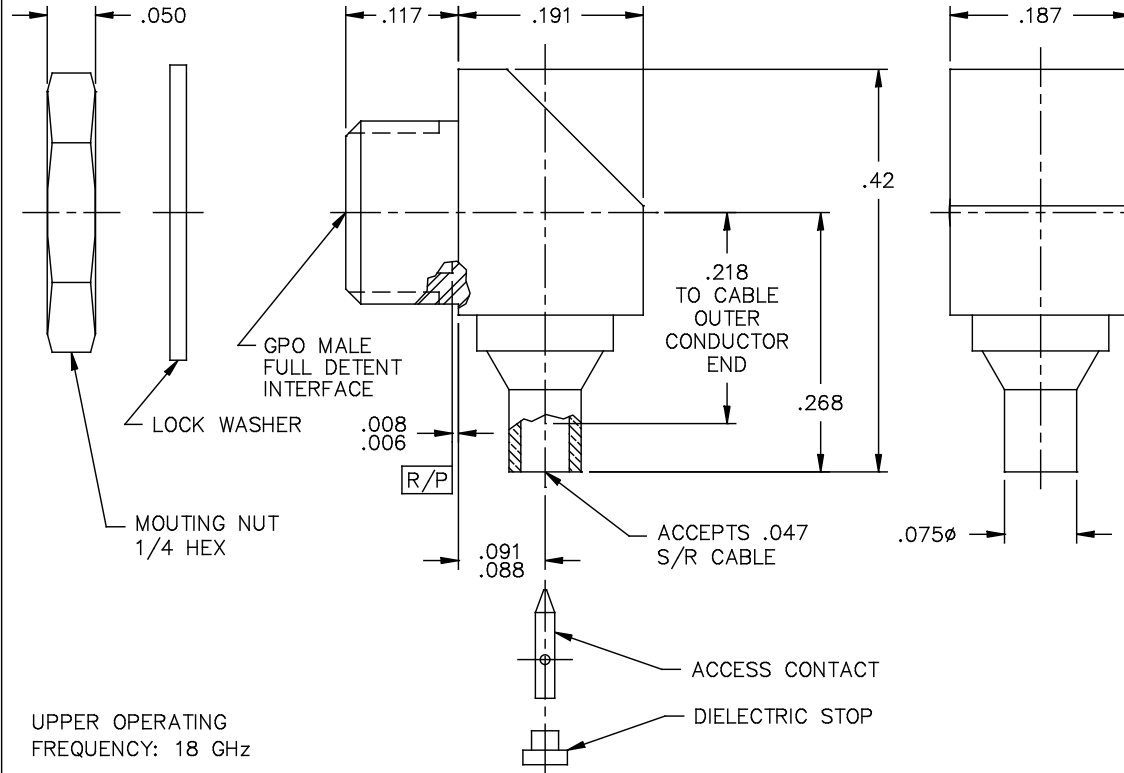
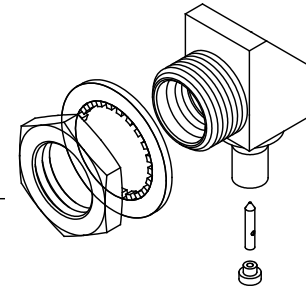
VIRGIN PTFE

DIELECTRIC STOP:

POLYAMIDE-IMIDE

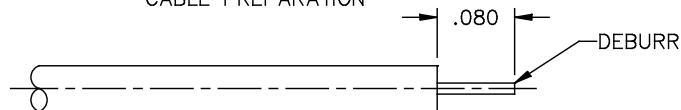
LOCK WASHER:

400 SERIES STAINLESS STEEL



UPPER OPERATING
FREQUENCY: 18 GHz

CABLE PREPARATION



This drawing and any data contained herein is the property of Corning Gilbert Inc., and constitutes and contains proprietary and confidential information. Neither receipt nor possession of this drawing confers or transfers any right to duplicate, use or disclose any information contained herein except as expressly authorized by Corning Gilbert Inc.

GPO MALE FULL DETENT
R/A TO .047 S/R
CABLE BULKHEAD MOUNT

IDENT CODE:
82316
REVISION: F1

Corning Gilbert Inc.

SOURCE FILE: MECR# 759

DWG. NO.:

OL-0119-633-3

ASSY. PROC.: IS-7906-1