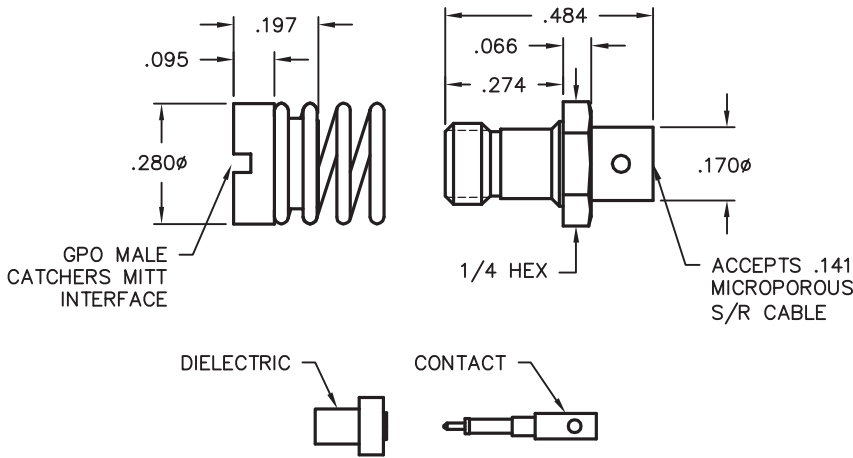


**Male Catchers Mitt Bulkhead Float Mount to 0.141 Microporous S/R Cable**

**Catalog Number** 0119-590-3 **Assembly Procedure** AP01-045

**Tools Recommended**

- A096-A99-02
- L096-A99-01
- A096-A99-09

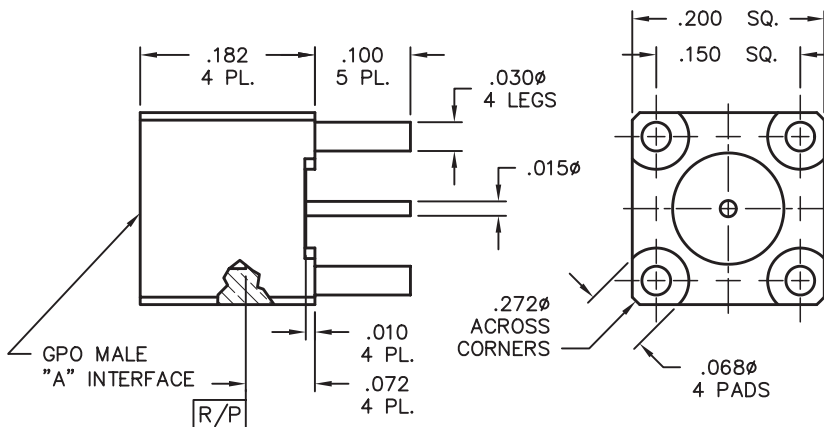


GPO PCB Mounts

**Male Straight to PCB**

**Catalog Number** A  
 A008-L13-03 FD  
 A008-L14-03 LD  
 A008-L15-03 SB

**VSWR (TYP)**  
 1.30:1 to 20 GHz



**Male PCB 4 Leg Thru Mount Cap Center Conductor**

**Catalog Number** A B  
 A008-L33-01 FD .100  
 A008-L34-01 LD .100  
 A008-L35-01 SB .100  
 A008-L33-02 FD .140  
 A008-L34-02 LD .140  
 A008-L35-02 SB .140

**VSWR (TYP)**  
 1.30:1 to 20 GHz

