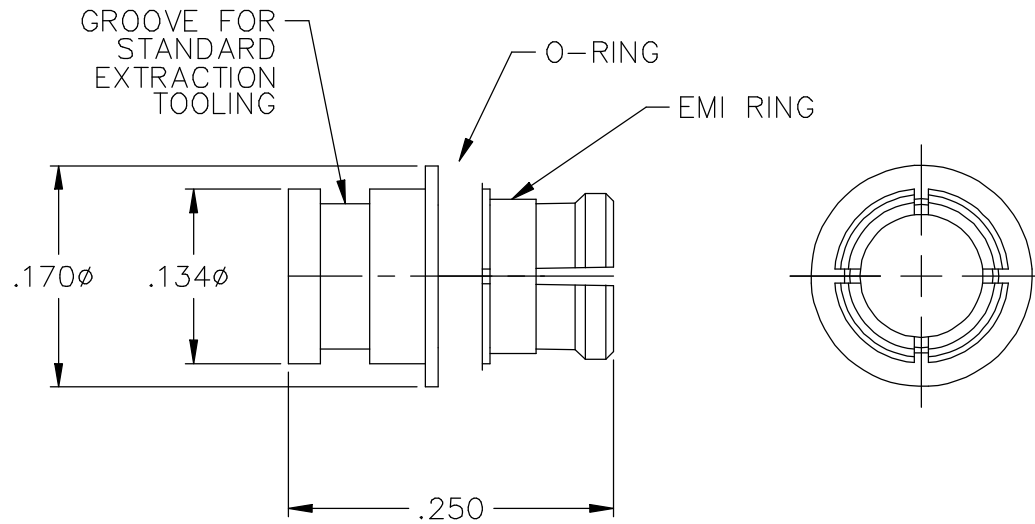


This drawing and any data contained therein is the property of Gilbert Engineering Co., Inc., and constitutes and contains proprietary and confidential information. Neither receipt nor possession of this drawing confers or transfers any right to duplicate, use, or disclose any information contained herein except as expressly authorized by Gilbert Engineering Co., Inc.

DWG. NO. OL-0190-019-0	PART REV. A
RELEASE PER GM-5602	1/16/96

MATERIAL & FINISH

O-RING:	SILICON RUBBER PER ZZ-R-765 OR MIL-R-5347
HOUSING & EMI RING:	BERYLLIUM COPPER PER ASTM B196 AND/OR ASTM B197 GOLD PLATE PER MIL-G-45204



NOTE:
THIS PLUG IS FOR USE WITH STANDARD FULL DETENT SHROUDS ONLY. IT IS NOT FOR USE WITH LIMITED DETENT, SMOOTH BORE, OR CATCHERS MITT MODELS.

ALL DIMENSIONS ARE IN INCHES	CAT. NO. 0190-019-0	CODE IDENT NO. 82316
------------------------------	---------------------	----------------------

GILBERT ENGINEERING CO., INC.

BY		DATE	TITLE OUTLINE DRAWING FOR GPO O-RING SEALING SHIPPING PLUG
DRAWN	TML	1/16/96	
ASSEMBLY PROCEDURES: NONE			DWG. NO. OL-0190-019-0
SOURCE FILE: SK-0874	SHT. 1	OF 1	
			REV A