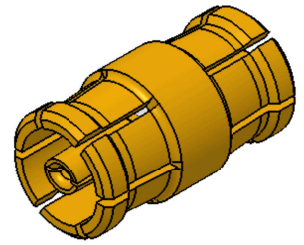


CATALOG NUMBER

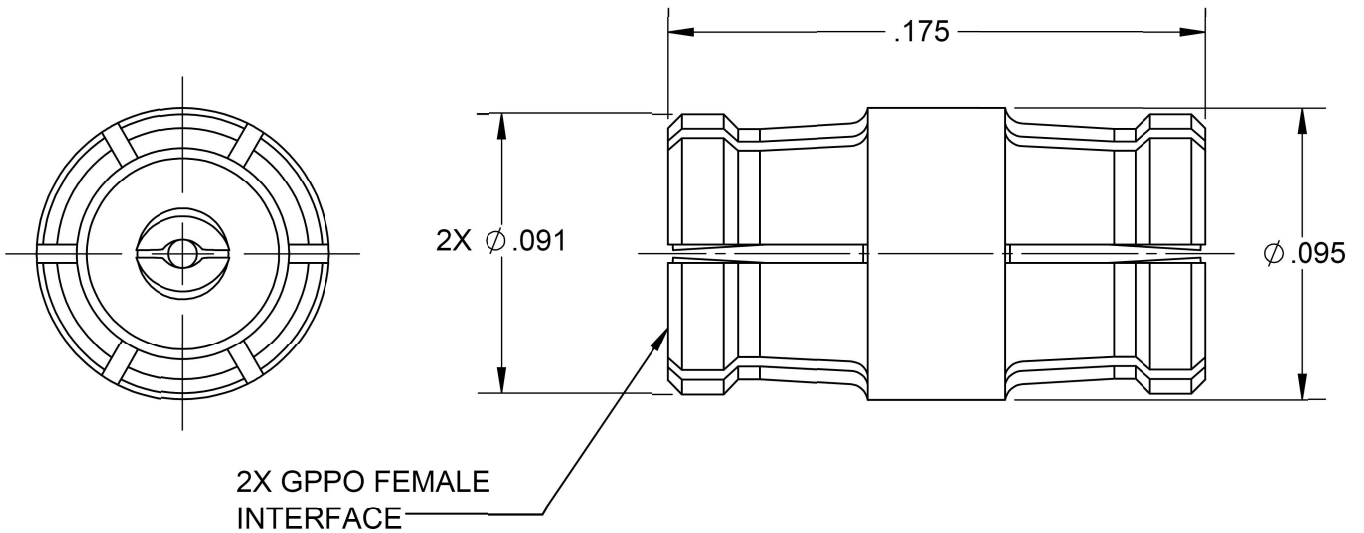
B1B1-0001-05-0175



MATERIAL AND FINISH

HOUSING AND CENTER CONTACT: BeCu; GOLD PLATE 75 MICRONS TYPICAL OVER NICKEL PLATE 100 MICRONS TYPICAL

DIELECTRIC: VIRGIN PTFE



CORNING RESTRICTED - This drawing and any data contained herein is the proprietary and confidential information of Corning. Neither receipt nor possession of this drawing provides any right to duplicate, use, or disclose any information contained herein except with the express written consent of Corning.
EXPORT CONTROL - This document contains information within the purview of the Export Administration Regulations (EAR), 15 CFR 730-774, and may be export controlled.

APPROX. WEIGHT:	0.0645 grams	SIGNATURES	INIT	DATE:
TOLERANCE: .XX ±.010 .XXX ±.005 ANGULAR ±5°		DRAWN:	MV	02/15/19
		CHECKED:	DMG	
		APPROVED:	TEF	

GPPO FEMALE BLINDMATE INTERCONNECT (.175 OAL)	CAGE CODE: 82316	SCALE: 16:1	CORNING	PLANT OF ORIGIN CORNING PHOENIX PLANT: (623)245-1050 CUSTOMER SERVICE: (800) 651-8869
	REVISION: A			

SOURCE FILE:	SK-6267	DWG. NO.:	OL-B1B1-0001-05-0175	ASSY. PROC.:	-
---------------------	---------	------------------	----------------------	---------------------	---