

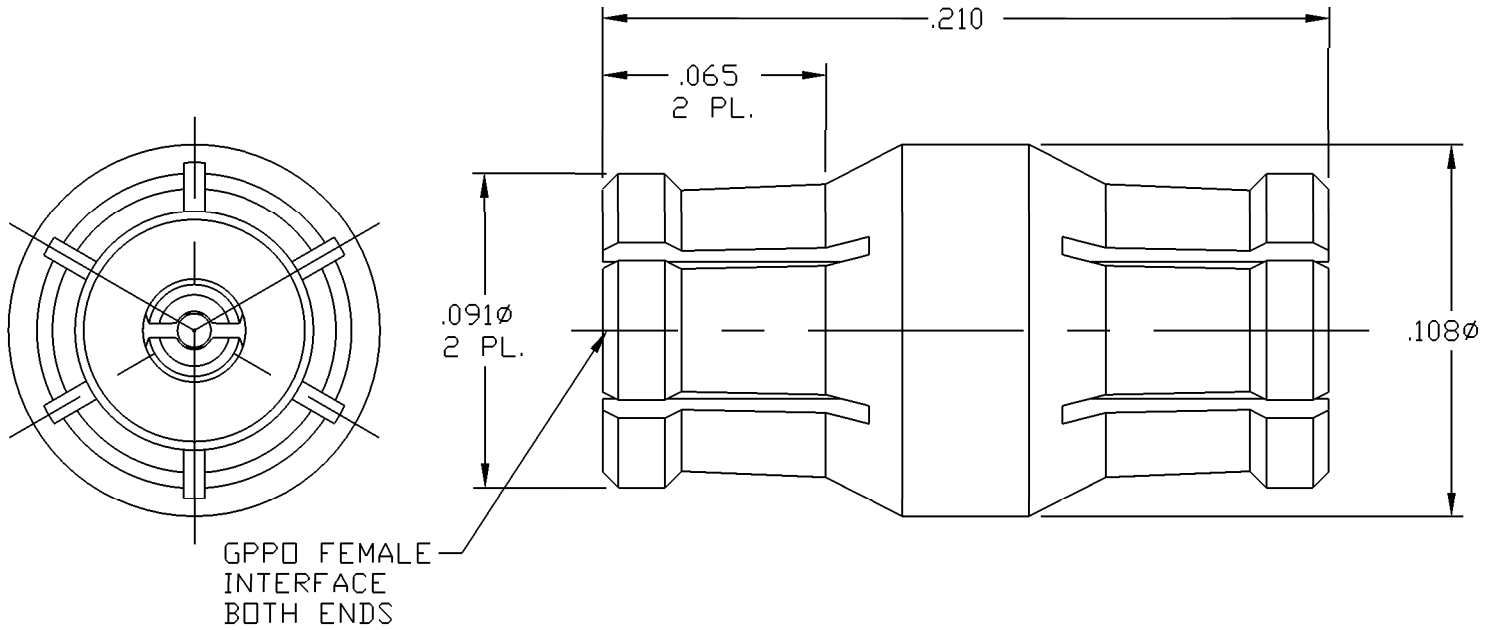
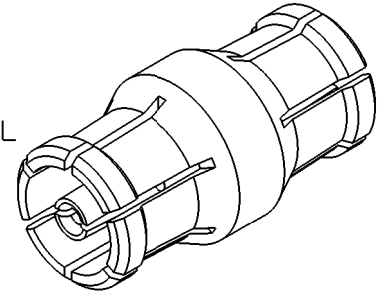
CATALOG NUMBER

B1B1-0009-03

MATERIAL AND FINISH

HOUSING AND  
CENTER CONTACT:  
DIELECTRIC:

BeCu; GOLD PLATE 75 MICRONS TYPICAL  
OVER COPPER FLASH  
VIRGIN PTFE



NOTES:

1 NON-MAGNETIC PLATING, THIS CONNECTOR IS NOT TO BE USED IN STANDARD APPLICATIONS.

CORNING RESTRICTED - This drawing and any data contained herein is the proprietary and confidential information of Corning. Neither receipt nor possession of this drawing provides any right to duplicate, use, or disclose any information contained herein except with the express written consent of Corning.  
EXPORT CONTROL - This document contains information within the purview of the Export Administration Regulations (EAR), 15 CFR 730-774, and may be export controlled.

GPPO BLINDMATE  
INTERCONNECT  
(NON-MAGNETIC)

IDENT CODE:  
82316

REVISION: A

**CORNING**

SOURCE FILE: SK-5789

DWG. NO.: 01-B1B1-0009-03

ASSY. PROC.: -