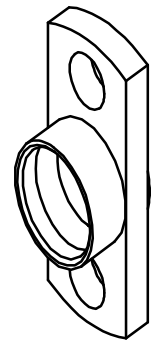
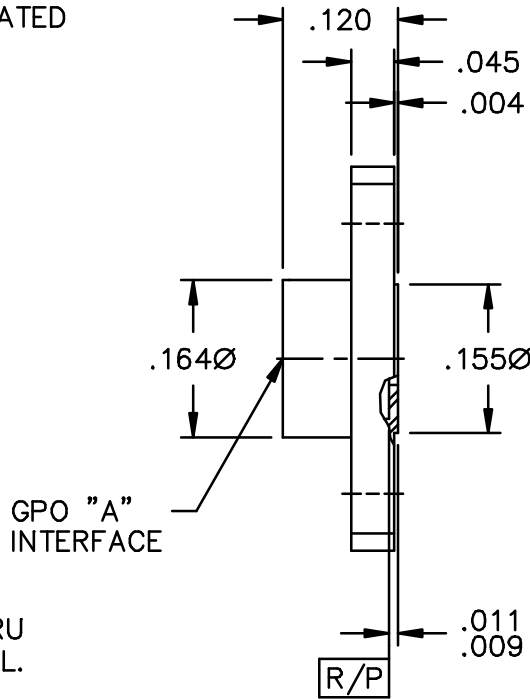
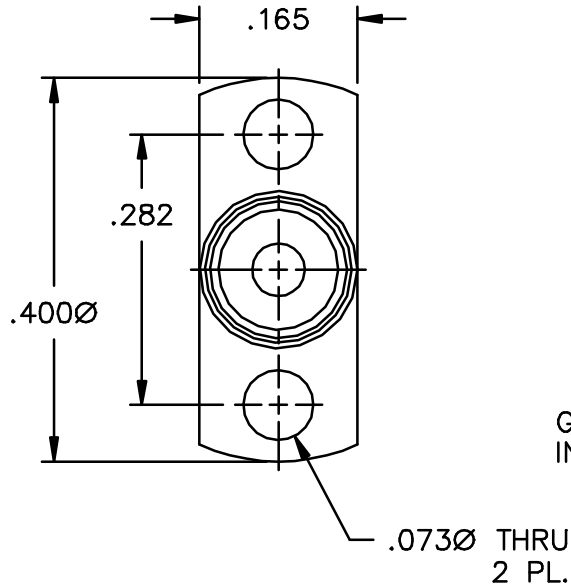


CATALOG NUMBER	"A" INTERFACE
A001-A23-04	FULL DETENT
A001-A24-04	LIMITED DETENT
A001-A25-04	SMOOTH BORE

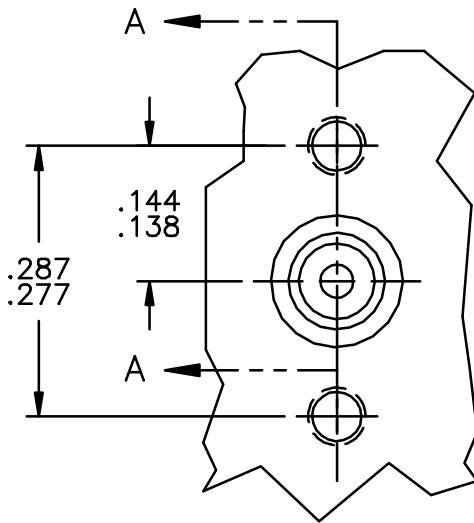


MATERIAL AND FINISH

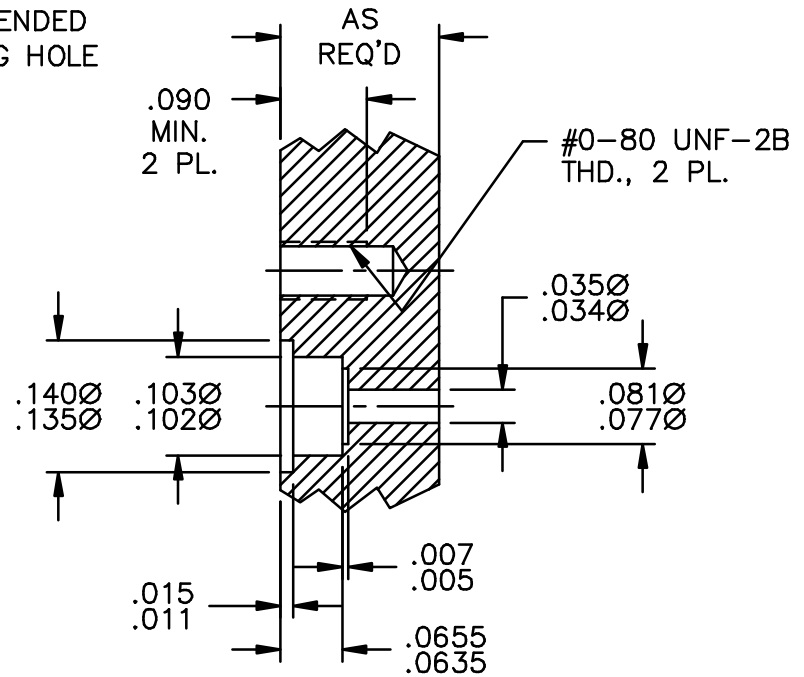
SHROUD: CRES 303; PASSIVATED



RECOMMENDED MOUNTING HOLE



RECOMMENDED FOR USE WITH CATALOG NO. Y007-L42-02 OR SIMILAR HERMETIC SEAL



SECTION A-A

This drawing and any data contained herein is the property of Corning Gilbert Inc., and constitutes and contains proprietary and confidential information. Neither receipt nor possession of this drawing confers or transfers any right to duplicate, use or disclose any information contained herein except as expressly authorized by Corning Gilbert Inc.

GPO 2 HOLE  
FLANGE MOUNT SHROUD  
(TAB DETENT)

IDENT CODE:  
82316

REVISION: B

**Corning Gilbert Inc.**

SOURCE FILE: MECR# 1895

DWG. NO.: OL-A001-A2X-04

ASSY. PROC.: AP01-009