

CATALOG NUMBER

0118-958-4

MATERIAL AND FINISH

CENTER CONTACT AND HOUSING:

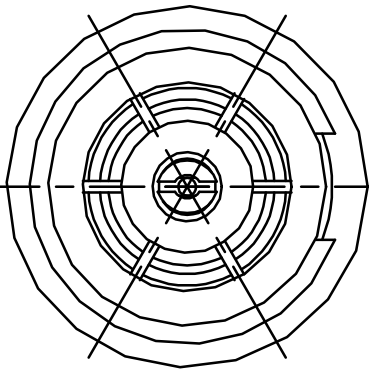
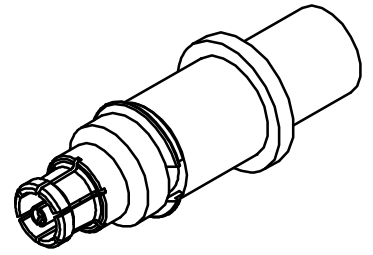
BeCu; GOLD PLATE 75 MICRINCHES TYPICAL OVER NICKEL PLATE 100 MICRINCHES TYPICAL

DIELECTRICS:

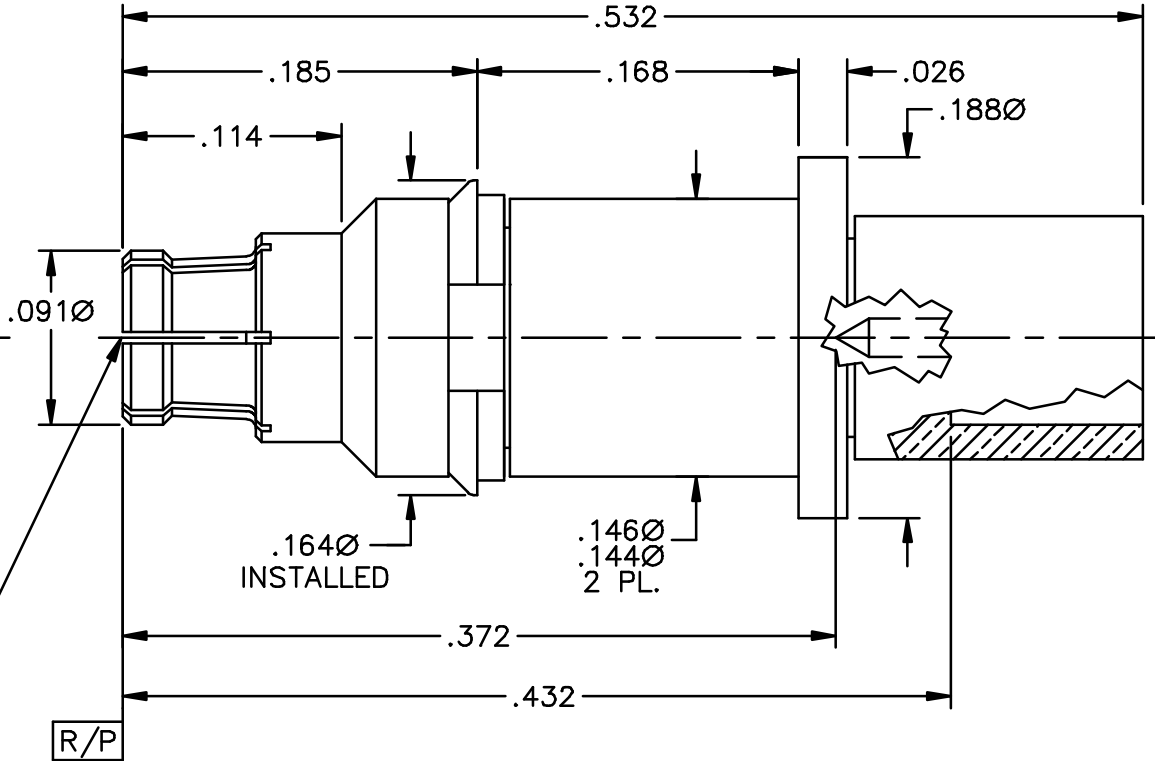
VIRGIN PTFE

RETAINING RING:

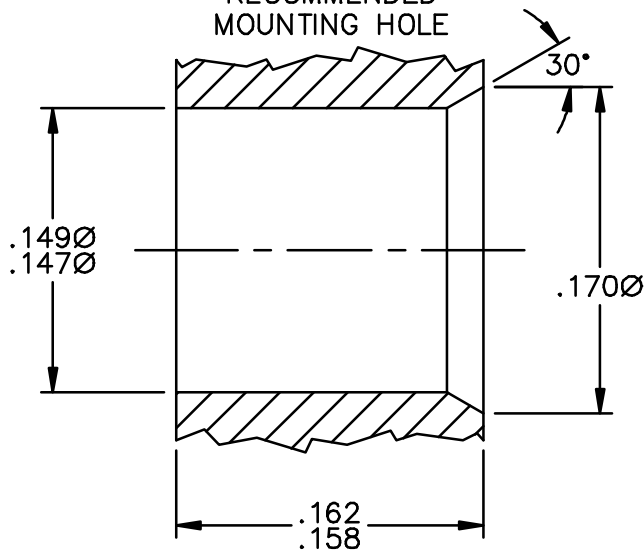
BeCu; TIN/NICKEL PLATE



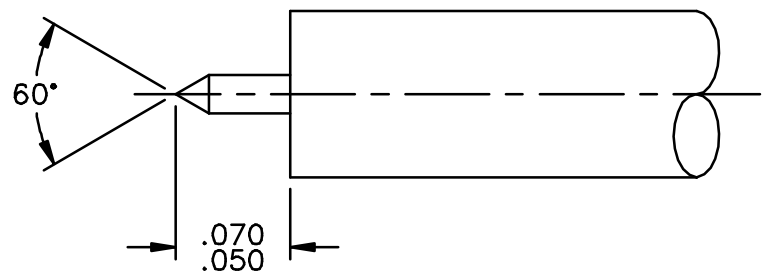
GPPO FEMALE INTERFACE



RECOMMENDED MOUNTING HOLE



CABLE PREPARATION



This drawing and any data contained herein is the property of Corning Gilbert Inc., and constitutes and contains proprietary and confidential information. Neither receipt nor possession of this drawing confers or transfers any right to duplicate, use or disclose any information contained herein except as expressly authorized by Corning Gilbert Inc.

GPPO FEMALE  
SNAP-IN BULKHEAD MOUNT  
TO .086 S/R CABLE

IDENT CODE:  
82316

REVISION: B

**Corning Gilbert Inc.**

SOURCE FILE: SK-2155

DWG. NO.: OL-0118-958-4

ASSY. PROC.: AP01-142