

CATALOG NUMBER

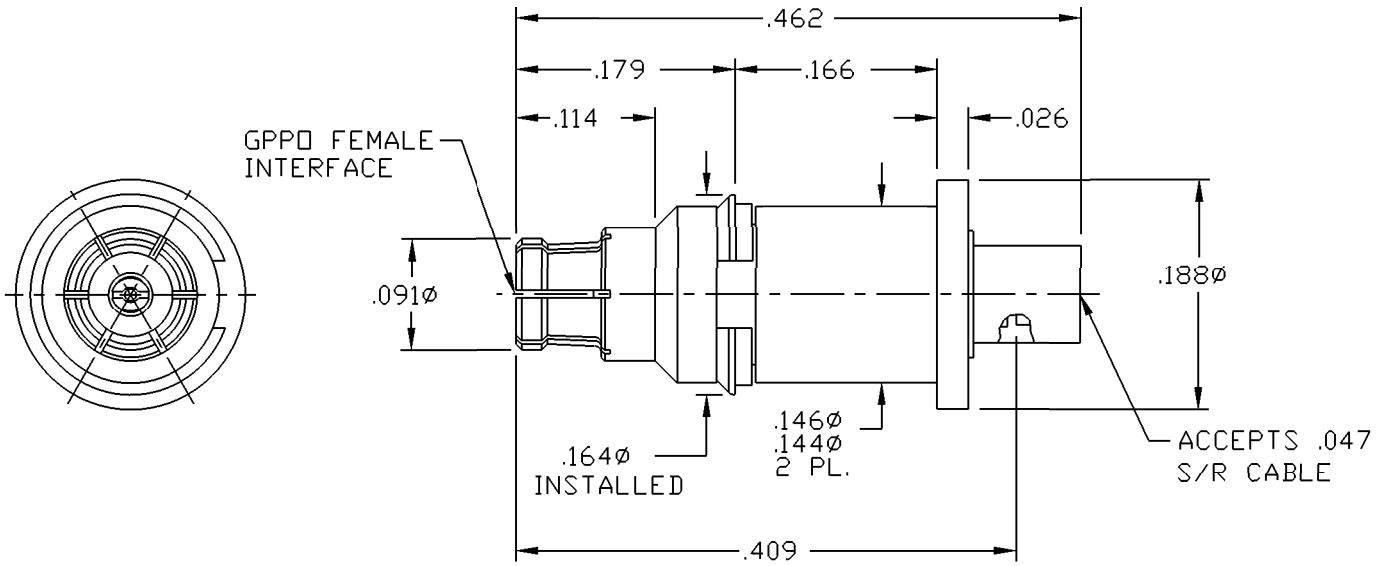
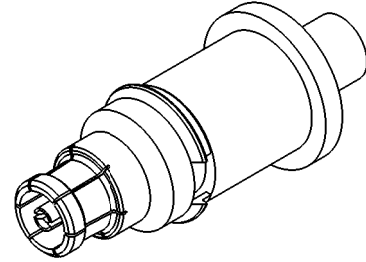
B016-B11-01

MATERIAL AND FINISH

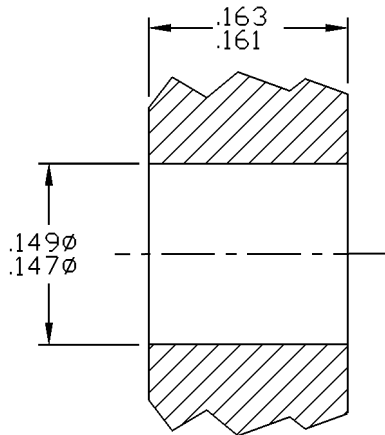
CABLE ADAPTER, CENTER CONTACT, AND HOUSING: BeCu; GOLD PLATE 50-100 MICRONS OVER NICKEL PLATE 50 MICRONS MIN.

DIELECTRICS: VIRGIN PTFE

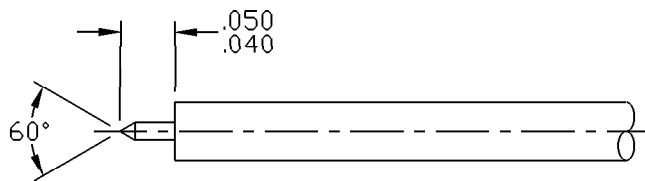
SNAP RING: BeCu; BRIGHT ALLOY PLATE



RECOMMENDED MOUNTING HOLE



CABLE PREPARATION



This drawing and any data contained herein is the property of Corning Gilbert Inc., and constitutes and contains proprietary and confidential information. Neither receipt nor possession of this drawing confers or transfers any right to duplicate, use or disclose any information contained herein except as expressly authorized by Corning Gilbert Inc.

GPPD FEMALE
SNAP-IN BULKHEAD MOUNT
TO .047 S/R CABLE

IDENT CODE:
82316

REVISION: G

Corning Gilbert Inc.

SOURCE FILE: SK-1645-047

DWG. NO.:

OL-B016-B11-01

ASSY. PROC.:

AP01-103