

CATALOG NUMBER

0118-958-1

MATERIAL AND FINISH

CENTER CONTACT AND HOUSING:

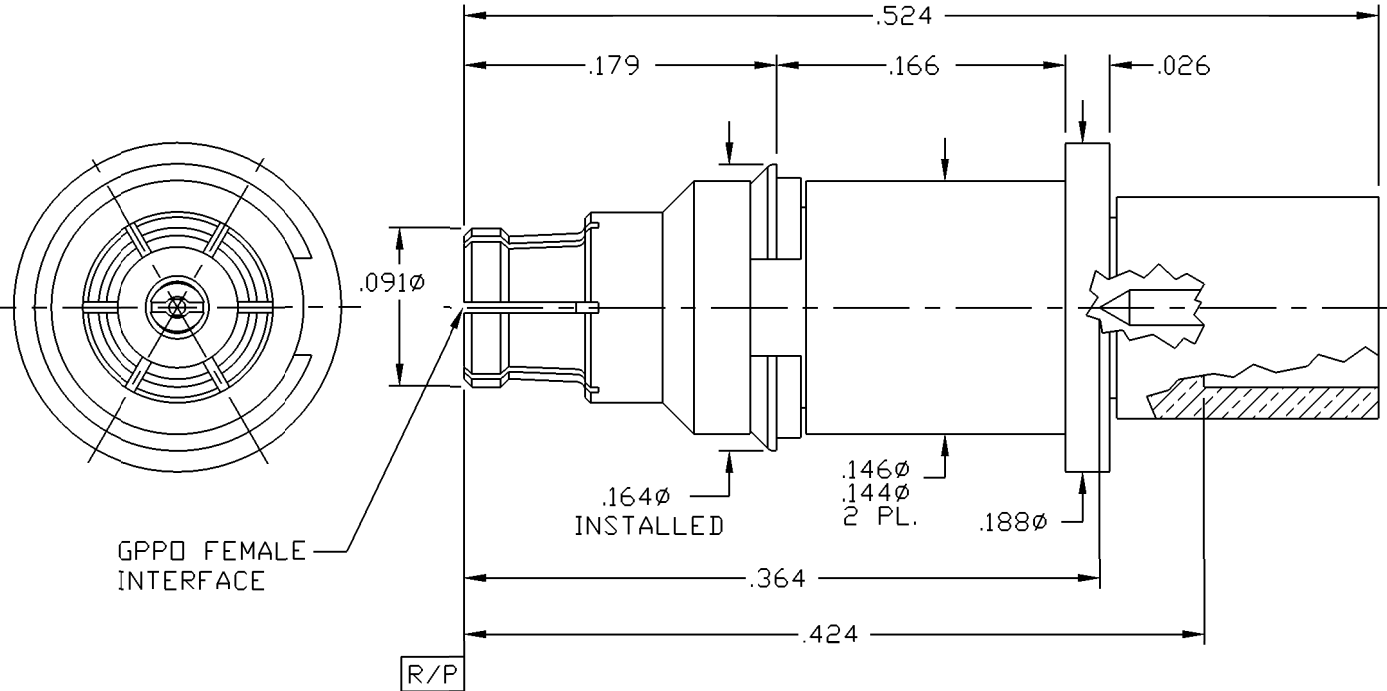
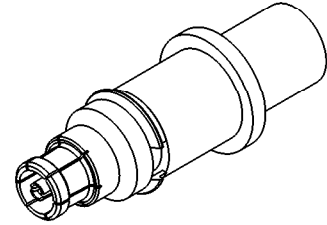
BeCu; GOLD PLATE 50-100 MICROINCHES OVER NICKEL PLATE 50 MICROINCHES MIN.

DIELECTRICS:

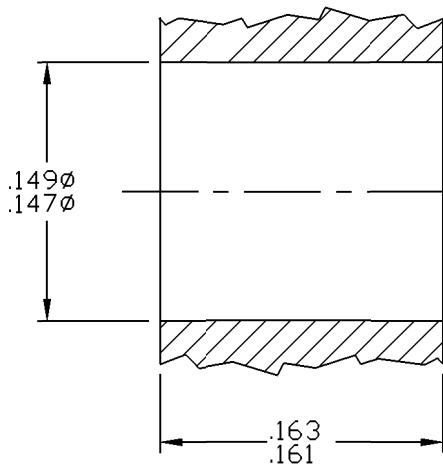
VIRGIN PTFE (TEFLON)

RETAINING RING:

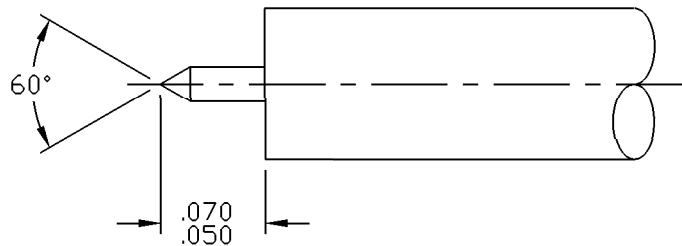
BeCu; BRIGHT ALLOY PLATE



RECOMMENDED MOUNTING HOLE



CABLE PREPARATION



This drawing and any data contained herein is the property of Corning Gilbert Inc., and constitutes and contains proprietary and confidential information. Neither receipt nor possession of this drawing confers or transfers any right to duplicate, use or disclose any information contained herein except as expressly authorized by Corning Gilbert Inc.

GPPD FEMALE  
SNAP-IN BULKHEAD MOUNT  
TO .086 S/R CABLE

IDENT CODE:

82316

REVISION: E

**Corning Gilbert Inc.**

SOURCE FILE: SK-1645

DWG. NO.:

OL-0118-958-1

ASSY. PROC.: AP01-120