


CATALOG NUMBER

B014-D91-01

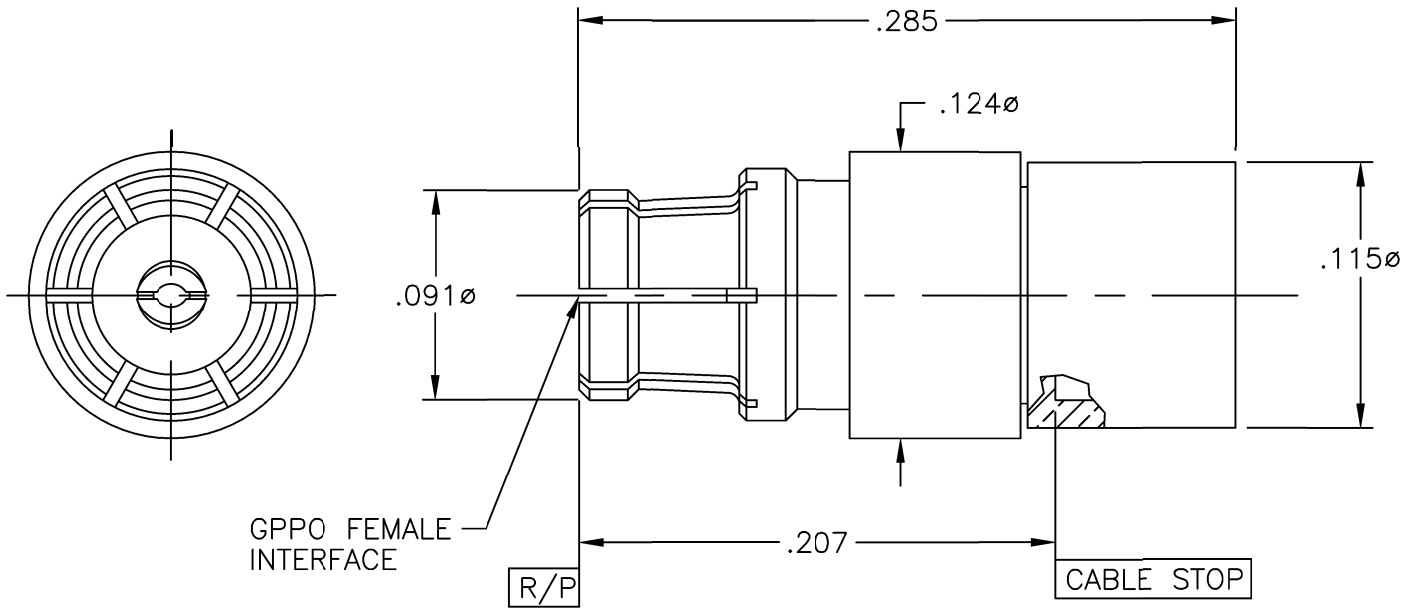
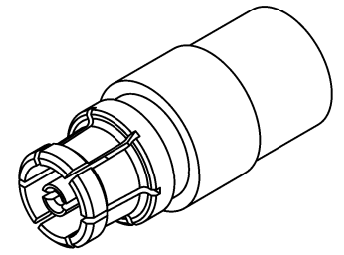
MATERIAL AND FINISH

GPPO HOUSING,
CENTER CONTACT,
AND CABLE ADAPTOR:

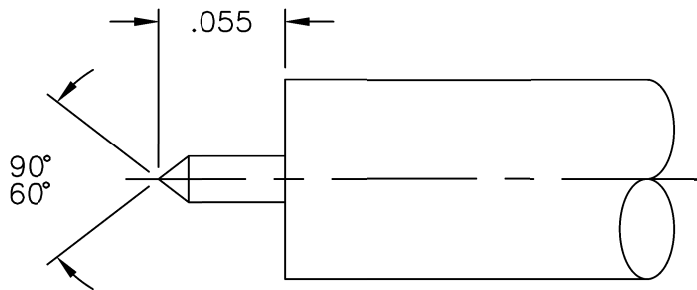
BeCu; GOLD PLATE 75 MICROINCHES TYPICAL
OVER COPPER FLASH 

DIELECTRIC:

VIRGIN PTFE



CABLE PREPARATION



NOTES:

 NON-MAGNETIC PLATING. THIS CONNECTOR IS NOT TO BE USED IN STANDARD APPLICATIONS.

CORNING RESTRICTED - This drawing and any data contained herein is the proprietary and confidential information of Corning. Neither receipt nor possession of this drawing provides any right to duplicate, use, or disclose any information contained herein except with the express written consent of Corning. EXPORT CONTROL - This document contains information within the purview of the Export Administration Regulations (EAR), 15 CFR 730-774, and may be export controlled.

GPPO FEMALE STRAIGHT TO
.086 CABLE
NON-MAGNETIC

IDENT CODE:
82316

REVISION: 01

CORNING

SOURCE FILE: SK-4712

DWG. NO.: OL-B014-D91-01

ASSY. PROC.: AP01-148