

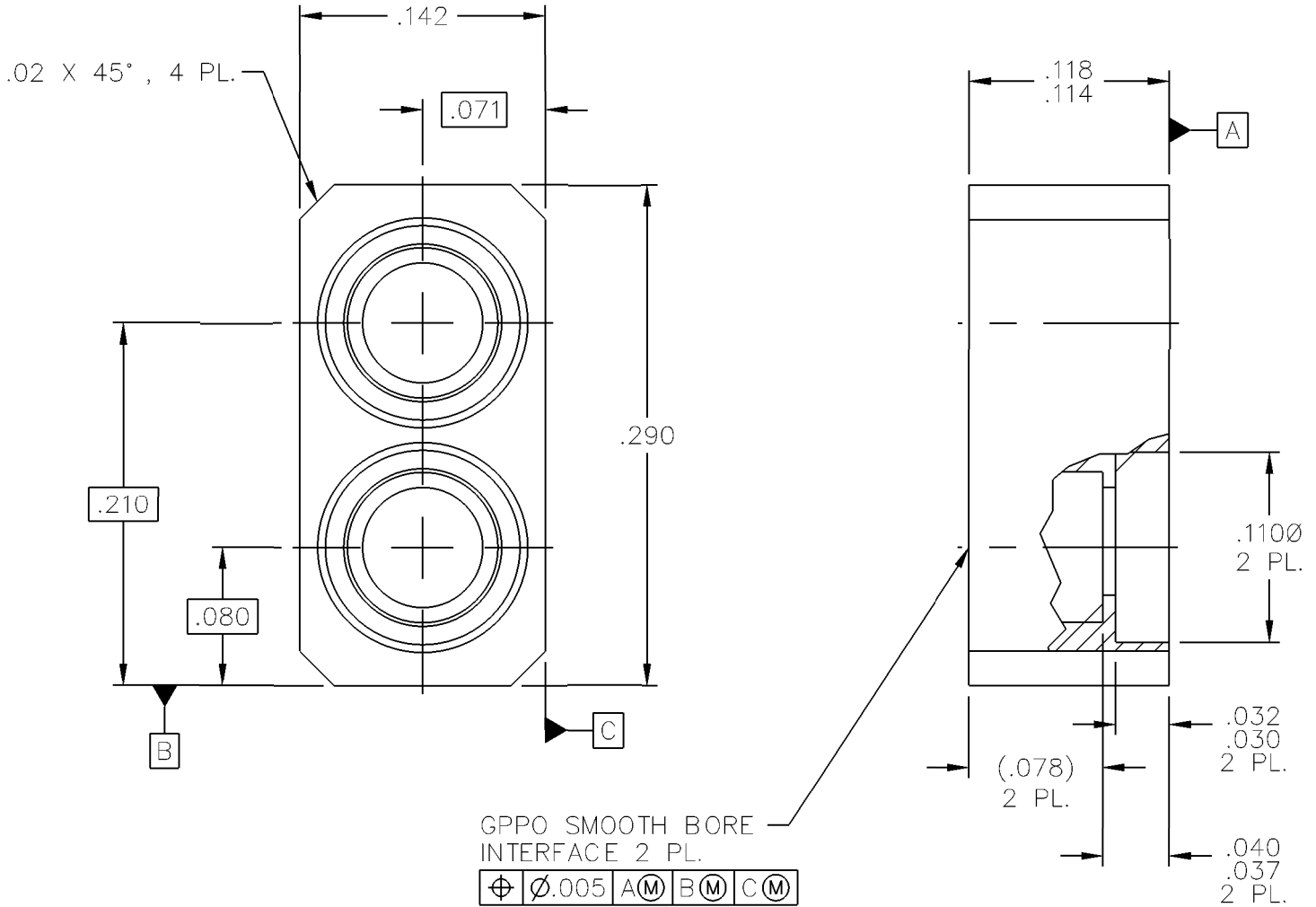
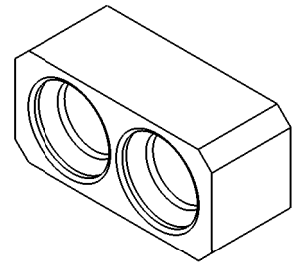
CATALOG NUMBER

B010-A95-08

MATERIAL AND FINISH

GPPO MOUNTING  
BLOCK:

IRON-NICKEL-COBALT SEALING ALLOY  
(KOVAR) PER ASTM F 15; GOLD PLATE



This drawing and any data contained herein is the property of Corning Gilbert Inc., and constitutes and contains proprietary and confidential information. Neither receipt nor possession of this drawing confers or transfers any right to duplicate, use or disclose any information contained herein except as expressly authorized by Corning Gilbert Inc.

GPPO SMOOTH BORE  
MOUNTING BLOCK

IDENT CODE:  
82316

REVISION: A

**Corning Gilbert Inc.**

SOURCE FILE: SK-2394

DWG. NO.: OL-B010-A95-08

ASSY. PROC.: -