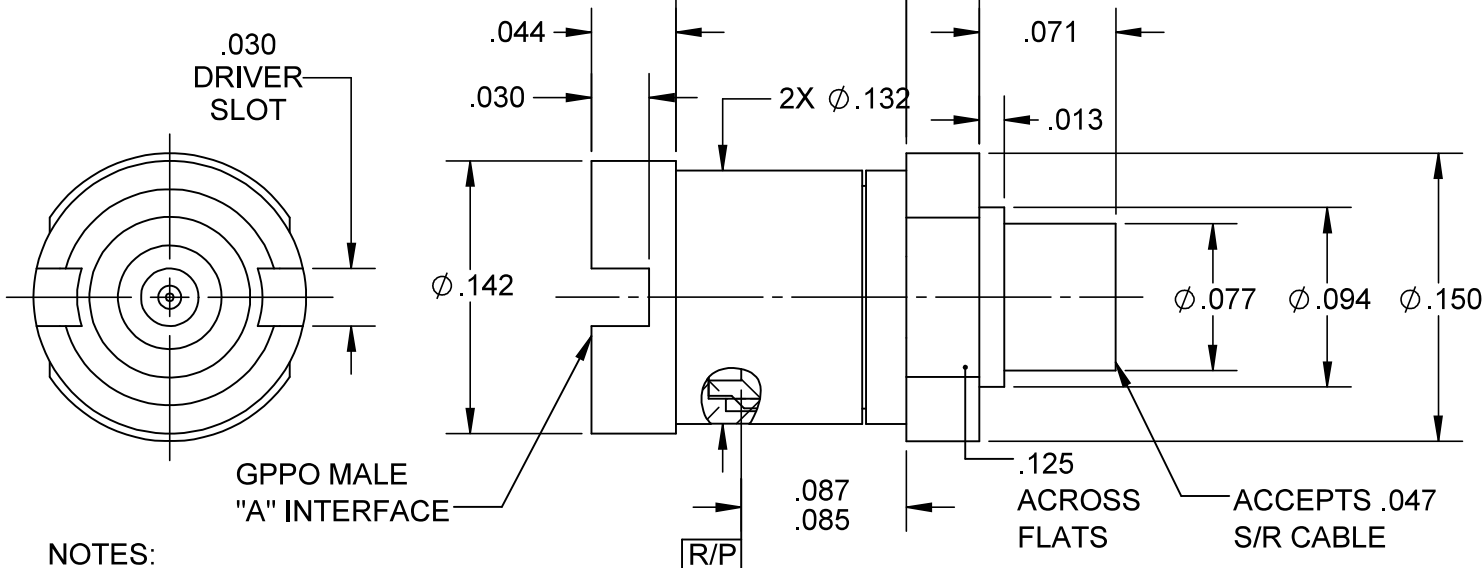
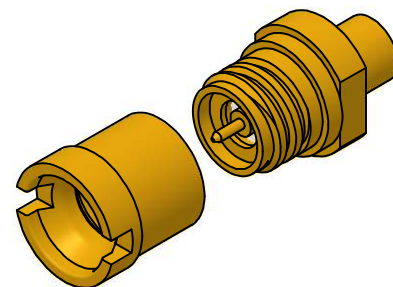


CATALOG NUMBER	"A" INTERFACE
B016-B93-01	FULL DETENT
B016-B94-01	LIMITED DETENT
B016-B95-01	SMOOTH BORE

MATERIAL AND FINISH

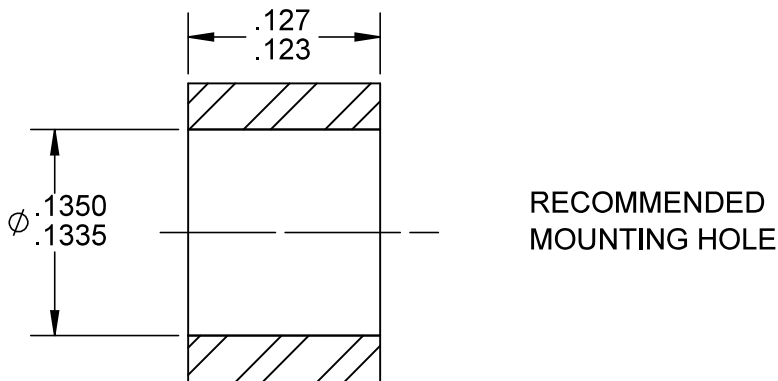
SHROUD, HOUSING, CENTER CONTACT AND CABLE ADAPTER: BeCu; GOLD PLATE 75 MICROINCHES TYPICAL OVER COPPER FLASH

DIELECTRIC: VIRGIN PTFE



NOTES:

1. NON-MAGNETIC PLATING. THIS CONNECTOR IS NOT TO BE USED STANDARD APPLICATIONS.



CORNING RESTRICTED - This drawing and any data contained herein is the proprietary and confidential information of Corning. Neither receipt nor possession of this drawing provides any right to duplicate, use, or disclose any information contained herein except with the express written consent of Corning.
 EXPORT CONTROL - This document contains information within the purview of the Export Administration Regulations (EAR), 15 CFR 730-774, and may be export controlled.

APPROX. WEIGHT:	0.3124 grams	SIGNATURES	INIT	DATE:
TOLERANCE:		DRAWN:	MV	6/13/16
.XX ±.010 .XXX ±.005 ANGULAR ±5°		CHECKED:	DMG	
		APPROVED:	TEF	

GPPO MALE FULL DETENT BULKHEAD MOUNT TO .047 S/R CABLE (NON-MAGNETIC)	CAGE CODE: 82316	SCALE: 8:1		PLANT OF ORIGIN CORNING PHOENIX PLANT: (623)245-1050 CUSTOMER SERVICE: (800) 651-8869
	REVISION: A			
SOURCE FILE: SK-5791	DWG. NO.:	OL-B016-B9X-01	ASSY. PROC.:	AP01-110