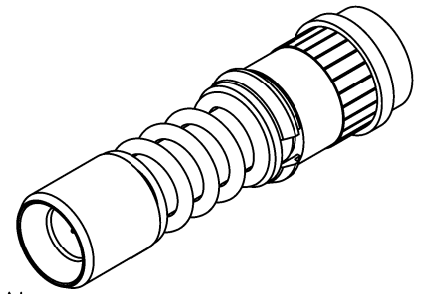


CATALOG NUMBER	"A" INTERFACE
0118-942-6-CM-FD	FULL DETENT
0118-942-6-CM-LD	LIMITED DETENT
0118-942-6-CM-SB	SMOOTH BORE



MATERIAL AND FINISH

GPPO SHROUD AND SPRING SLEEVE:

CRES 303; PASSIVATED

CENTER CONTACT, GPO SHROUD, AND SNAP RING:

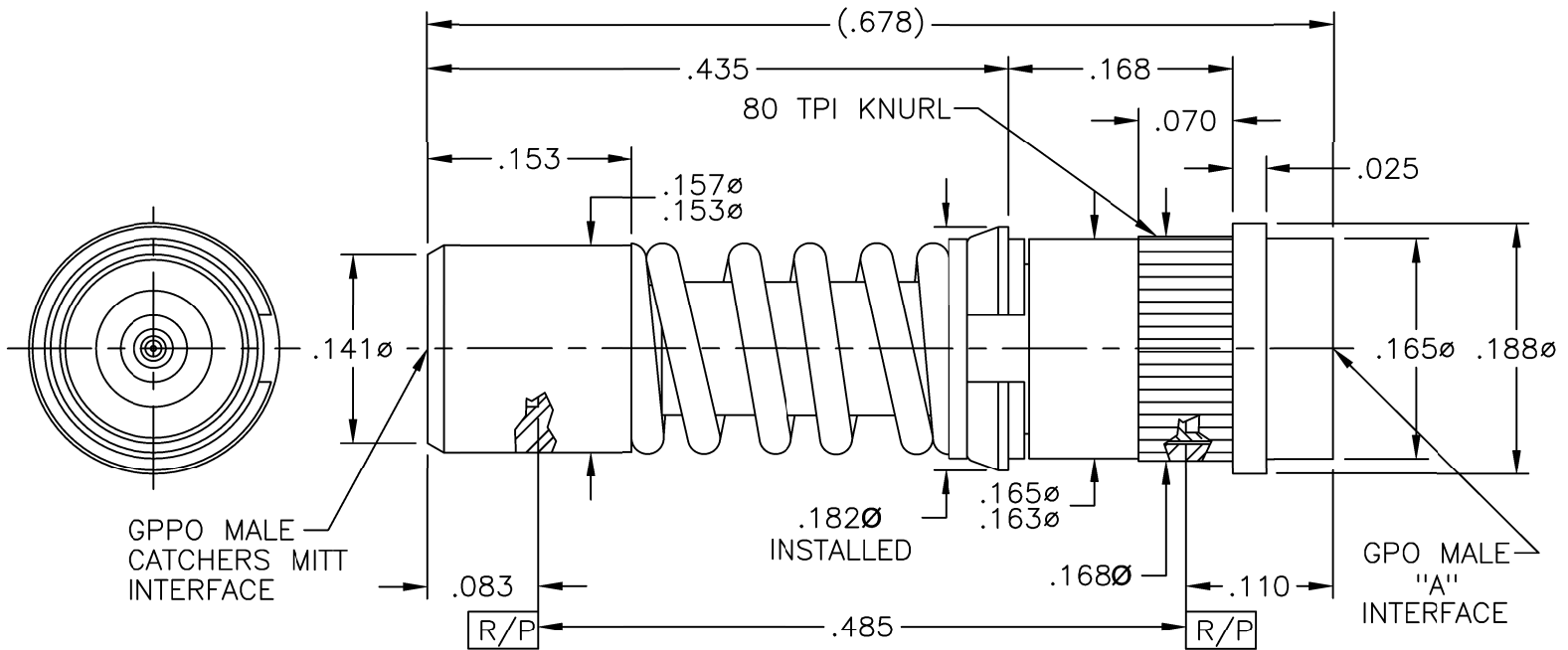
BeCu; GOLD PLATE 75 MICROINCHES TYPICAL OVER NICKEL PLATE 100 MICROINCHES TYPICAL

DIELECTRICS:

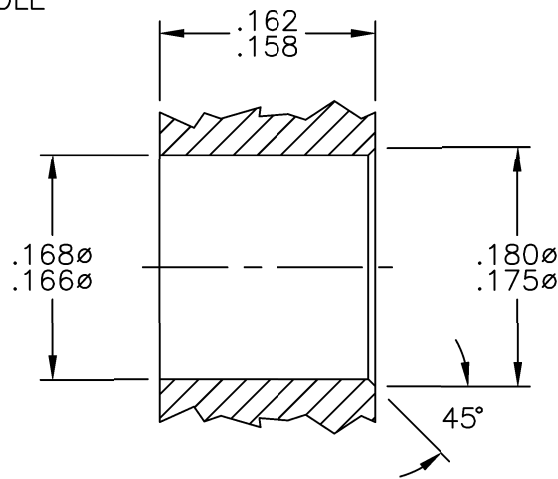
VIRGIN PTFE

SPRING:

STAINLESS STEEL 17-7



RECOMMENDED MOUNTING HOLE



This drawing and any data contained herein is the property of Corning Gilbert Inc., and constitutes and contains proprietary and confidential information. Neither receipt nor possession of this drawing confers or transfers any right to duplicate, use or disclose any information contained herein except as expressly authorized by Corning Gilbert Inc.

GPPO MALE CATCHERS MTT
SNAP-IN FLOAT MOUNT TO
GPO MALE (TAB DETENT)

IDENT CODE:

82316

REVISION: A

Corning Gilbert Inc.

SOURCE FILE: —

DWG. NO.: OL-0118-942-6-CM-TAB

ASSY. PROC.: —