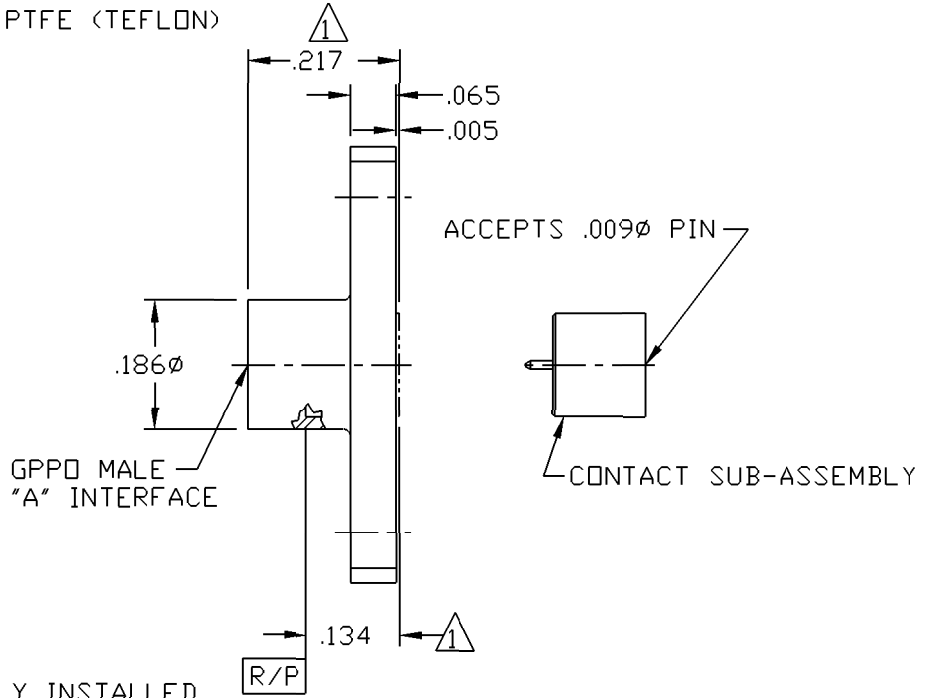
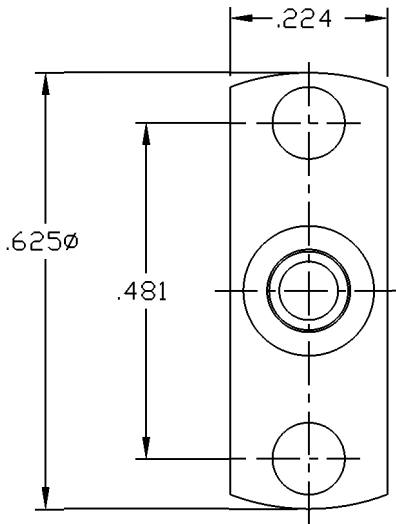
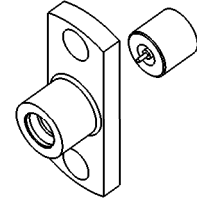


CATALOG NUMBER	"A" INTERFACE
B001-N33-01	FULL DETENT
B001-N35-01	SMOOTH BORE

MATERIAL AND FINISH

FLANGE AND BUSHING: CRES 303; PASSIVATED
 CENTER CONTACT: BeCu; GOLD PLATE 50-100 MICRONS OVER NICKEL PLATE 50 MICRONS MIN.
 DIELECTRIC: VIRGIN PTFE (TEFLON)

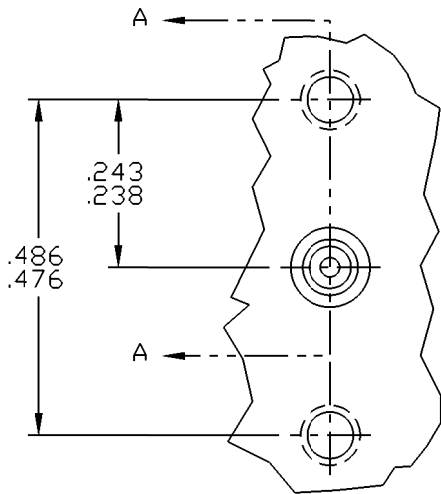


NOTES:

1. WITH CONTACT SUB-ASSEMBLY INSTALLED

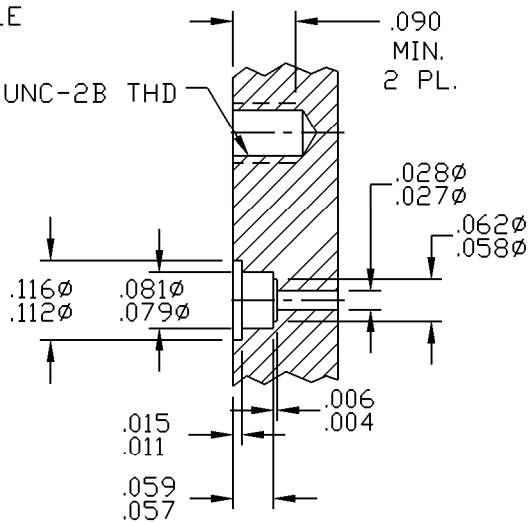
FOR USE WITH STANDARD .009" HERMETIC FEED THRU

RECOMMENDED MOUNTING HOLE



#2-56 UNC-2B THD
2 PL.

SECTION A-A



This drawing and any data contained herein is the property of Corning Gilbert Inc., and constitutes and contains proprietary and confidential information. Neither receipt nor possession of this drawing confers or transfers any right to duplicate, use or disclose any information contained herein except as expressly authorized by Corning Gilbert Inc.

GPPO MALE FLANGE
 MOUNT ACCEPTS .009 PIN
 (TAB DETENT)

IDENT CODE:
82316

REVISION: A1

Corning Gilbert Inc.

SOURCE FILE: SK-1987

DWG. NO.: □L-B001-N3X-01

ASSY. PROC.: -