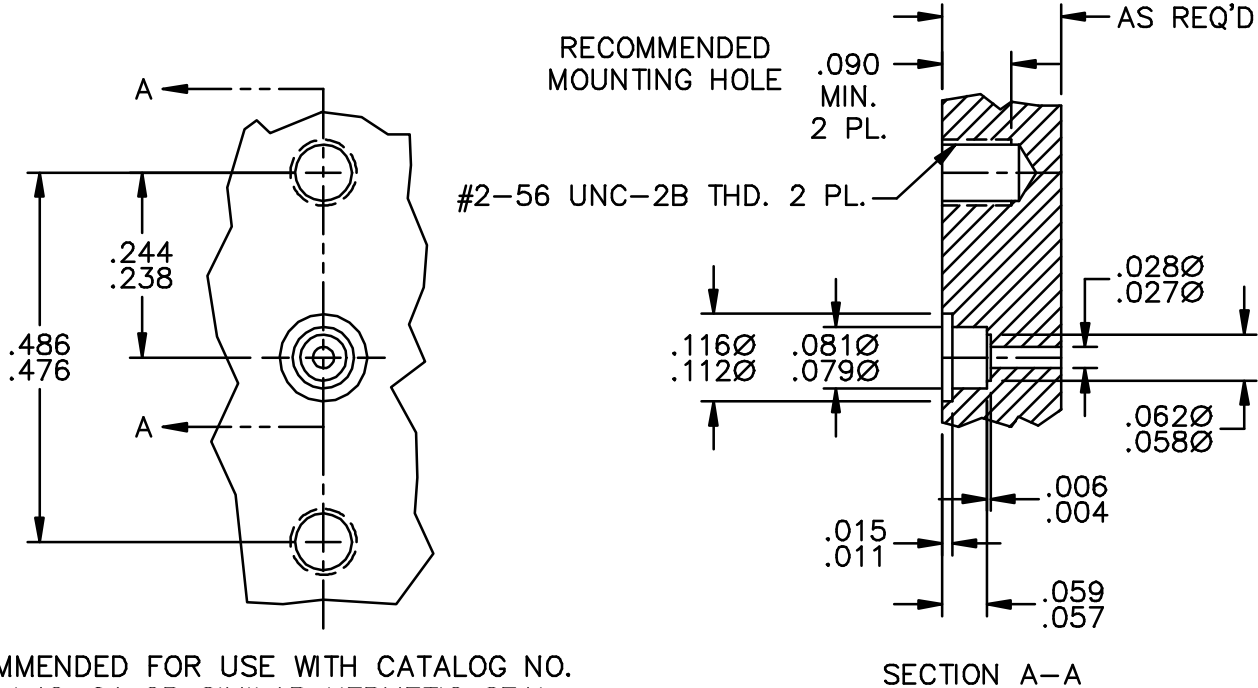
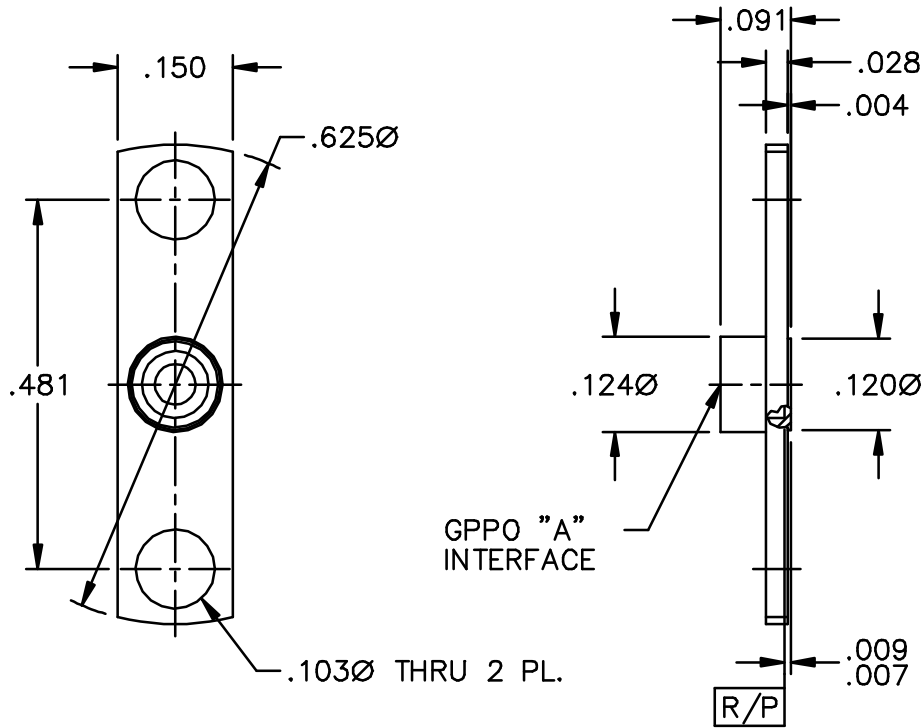
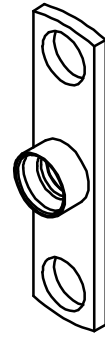


CATALOG NUMBER	"A" INTERFACE
B001-A23-02	FULL DETENT
B001-A25-02	SMOOTH BORE

MATERIAL AND FINISH

SHROUD: CRES 303; PASSIVATED



RECOMMENDED FOR USE WITH CATALOG NO. Y007-L42-01 OR SIMILAR HERMETIC SEAL

This drawing and any data contained herein is the property of Corning Gilbert Inc., and constitutes and contains proprietary and confidential information. Neither receipt nor possession of this drawing confers or transfers any right to duplicate, use or disclose any information contained herein except as expressly authorized by Corning Gilbert Inc.

GPPO 2 HOLE  
FLANGE MOUNT  
(TAB DETENT)

IDENT CODE:  
82316

REVISION: B

**Corning Gilbert Inc.**

SOURCE FILE: MECR# 1634

DWG. NO.: OL-B001-A2X-02

ASSY. PROC.: -