

CATALOG NUMBER

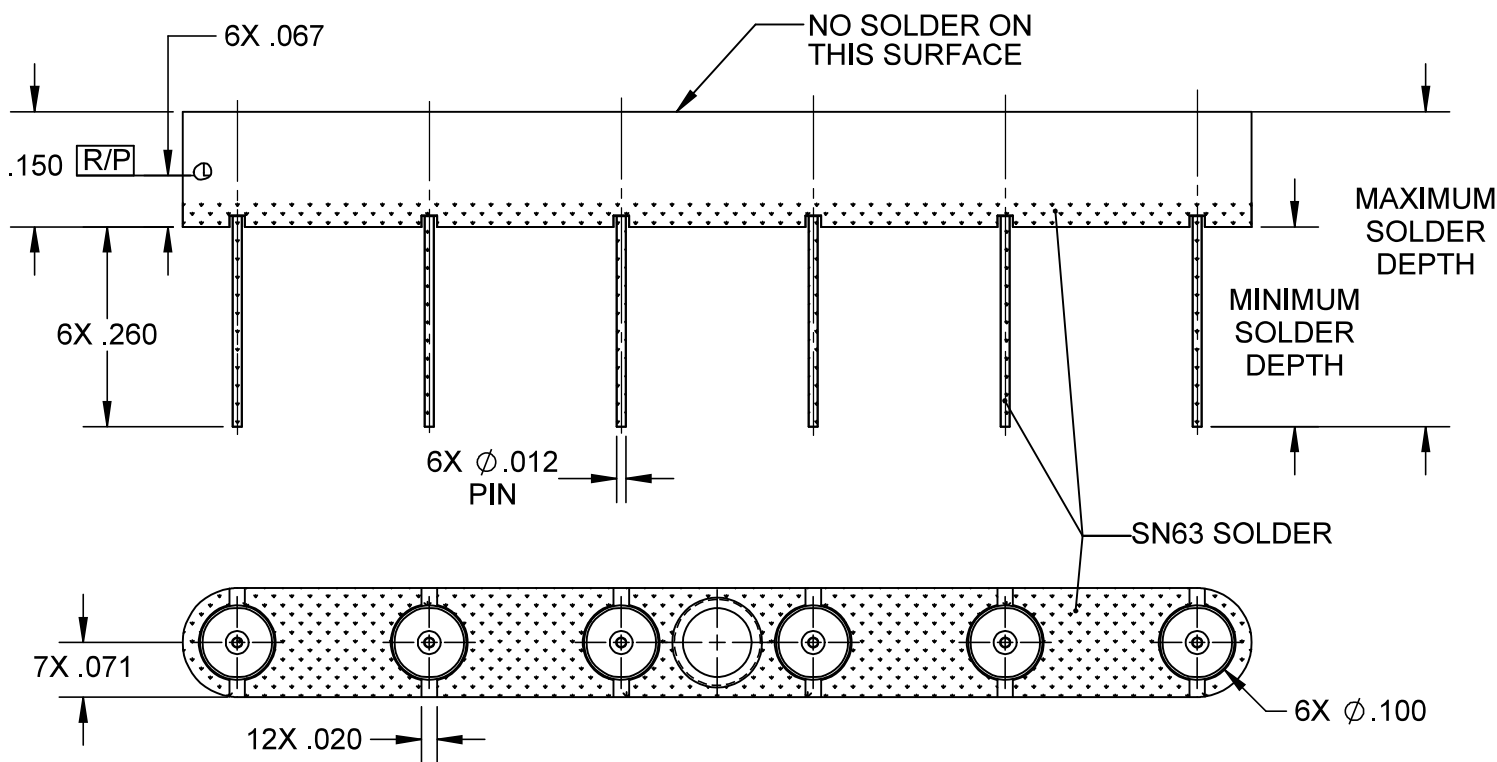
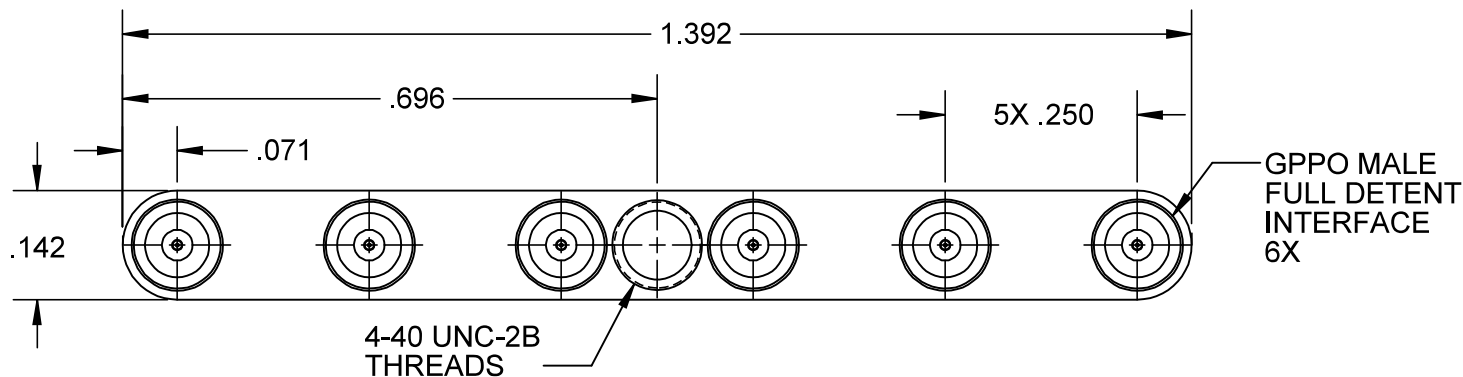
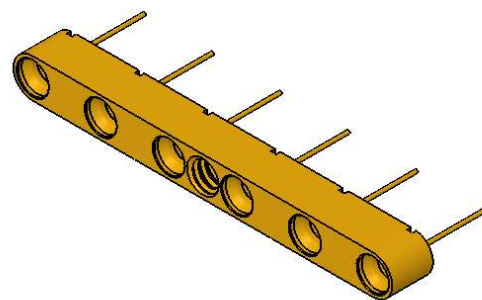
B036-L93-01-T

MATERIAL AND FINISH

HOUSING AND PINS: BeCu; GOLD PLATE 75 MICRONS TYPICAL OVER NICKEL PLATE 100 MICRONS TYPICAL

DIELECTRICS: POLYAMIDE-IMIDE

BUSHINGS: CRES 303; PASSIVATED



NOTES:
1. ALL DIMENSIONS ARE BEFORE SOLDER DIP.

CORNING RESTRICTED - This drawing and any data contained herein is the proprietary and confidential information of Corning. Neither receipt nor possession of this drawing provides any right to duplicate, use, or disclose any information contained herein except with the express written consent of Corning.
EXPORT CONTROL - This document contains information within the purview of the Export Administration Regulations (EAR), 15 CFR 730-774, and may be export controlled.

APPROX. WEIGHT:	3.1332 grams	SIGNATURES	INIT	DATE:
TOLERANCE:		DRAWN:	TEF	8/23/16
.XX ±.010 .XXX ±.005 ANGULAR ±5°		CHECKED:	DMG	
		APPROVED:	TEF	

**GPPO MALE FULL DETENT
6 POSITION SMT BLOCK
(SOLDER DIPPED)**

CAGE CODE: 82316
SCALE: 4:1
REVISION: A

CORNING

PLANT OF ORIGIN
CORNING PHOENIX
PLANT: (623)245-1050
CUSTOMER SERVICE:
(800) 651-8869

SOURCE FILE:	SK-4641	DWG. NO.:	OL-B036-L93-01-T	ASSY. PROC.:	-
--------------	---------	-----------	------------------	--------------	---