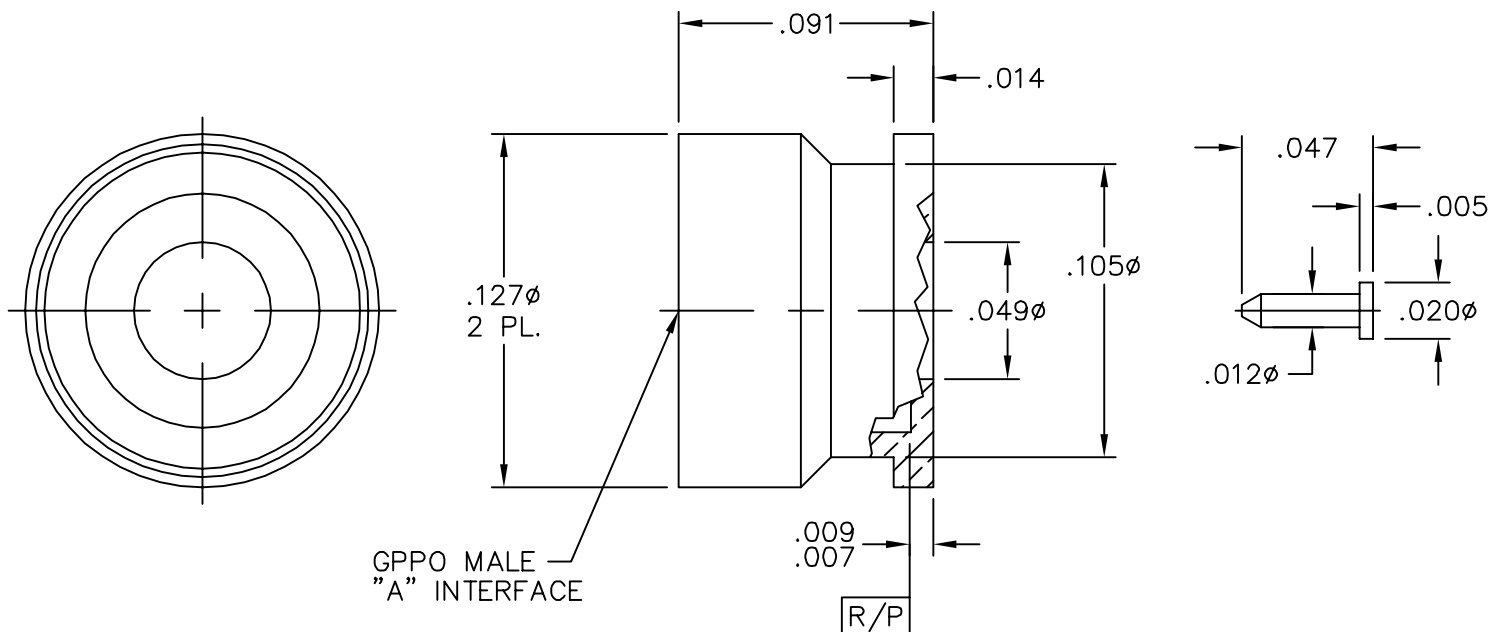
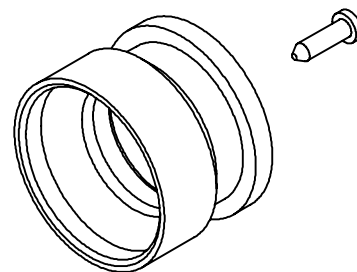


CATALOG NUMBER	"A" INTERFACE
B012-L13-03	FULL DETENT
B012-L15-03	SMOOTH BORE

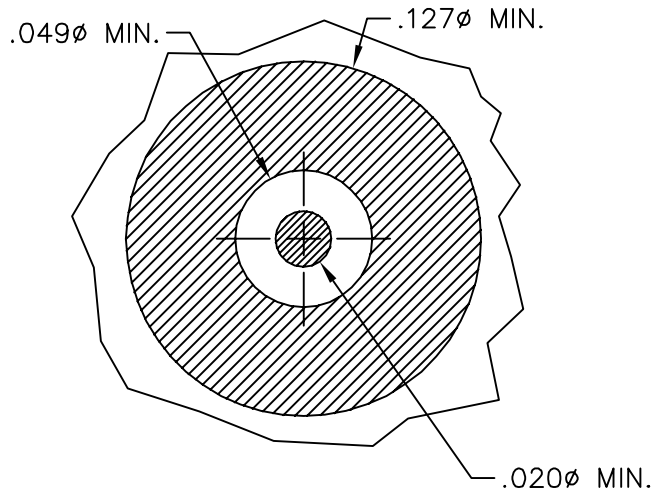
MATERIAL AND FINISH

CENTER CONTACT
AND SHROUD:

BeCu; GOLD PLATE 75 MICROINCHES TYPICAL
OVER NICKEL PLATE 100 MICROINCHES TYPICAL



RECOMMENDED MOUNTING PATTERN



This drawing and any data contained herein is the property of Corning Gilbert Inc., and constitutes and contains proprietary and confidential information. Neither receipt nor possession of this drawing confers or transfers any right to duplicate, use or disclose any information contained herein except as expressly authorized by Corning Gilbert Inc.

GPPO MALE PCB SURFACE MOUNT WITH SEPARATE C/C (TAB DETENT)	IDENT CODE: 82316	Corning Gilbert Inc.
	REVISION: B1	
SOURCE FILE: ME CR# 2298	DWG. NO.: OL-B012-L1X-03	ASSY. PROC.: —