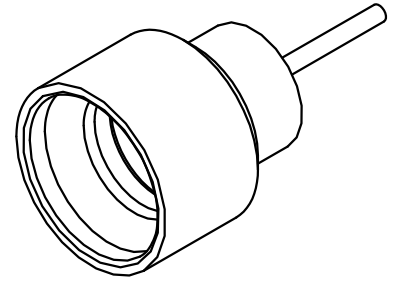


CATALOG NUMBER	"A" INTERFACE	"L" = LENGTH	CONTACT END
0118-915-1-FD-TAB-R	FULL DETENT	SEE CHART	RADIUS=R
0118-915-1-FD-TAB-S	FULL DETENT	SEE CHART	SQUARE=S
0118-915-1-SB-TAB-R	SMOOTH BORE	SEE CHART	RADIUS=R
0118-915-1-SB-TAB-S	SMOOTH BORE	SEE CHART	SQUARE=S



TAB EQUALS "L" X 10³

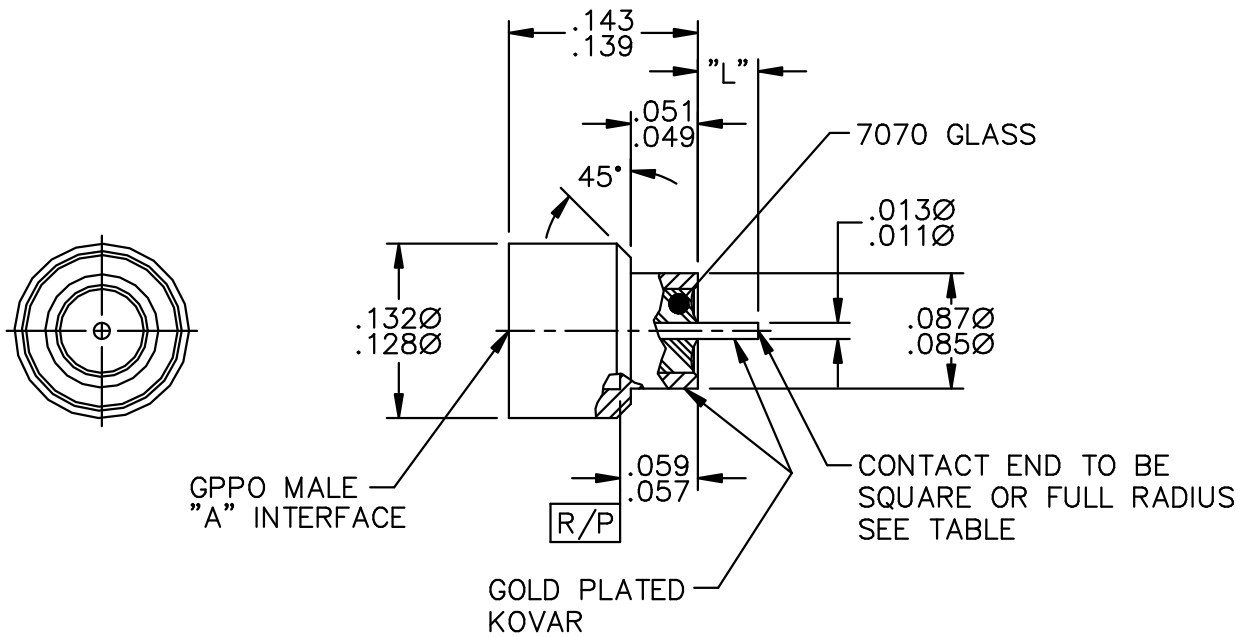
LENGTH CHART
.025
.030
.035
.040
.045
.050
.055
.060
.065
.070
.075
.080
.085
.090
.095
.100
.105
.110
.115
.120
.125
.130
.135

MATERIAL AND FINISH

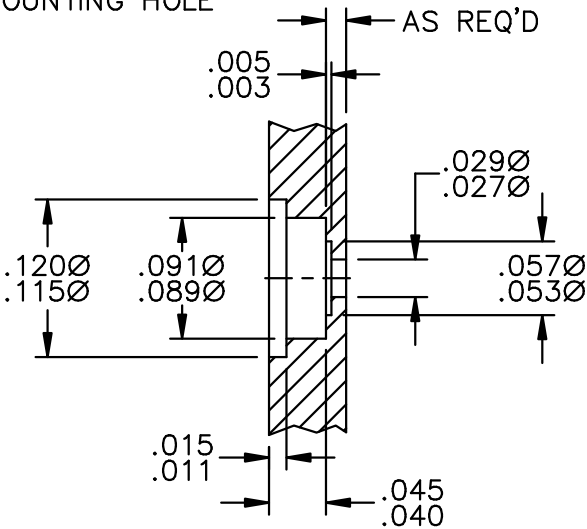
HOUSING AND PIN:

DIELECTRIC:

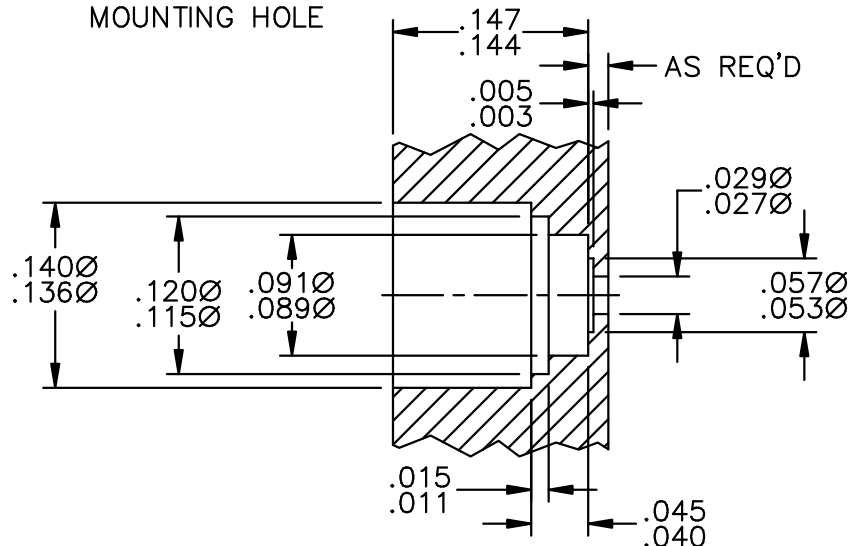
IRON-NICKEL-COBALT SEALING ALLOY (KOVAR) PER ASTM F 15; GOLD PLATE
CORNING 7070 GLASS OR EQUIVALENT



PROTRUDING SHROUD MOUNTING HOLE



FLUSH SHROUD MOUNTING HOLE



This drawing and any data contained herein is the property of Corning Gilbert Inc., and constitutes and contains proprietary and confidential information. Neither receipt nor possession of this drawing confers or transfers any right to duplicate, use or disclose any information contained herein except as expressly authorized by Corning Gilbert Inc.

GPPO MALE SOLDER-IN
HERMETIC SHROUD
(TAB DETENT)

IDENT CODE:
82316

REVISION: K

Corning Gilbert Inc.

SOURCE FILE: MECR# 562

DWG. NO.: OL-0118-915-1-TAB

ASSY. PROC.: -