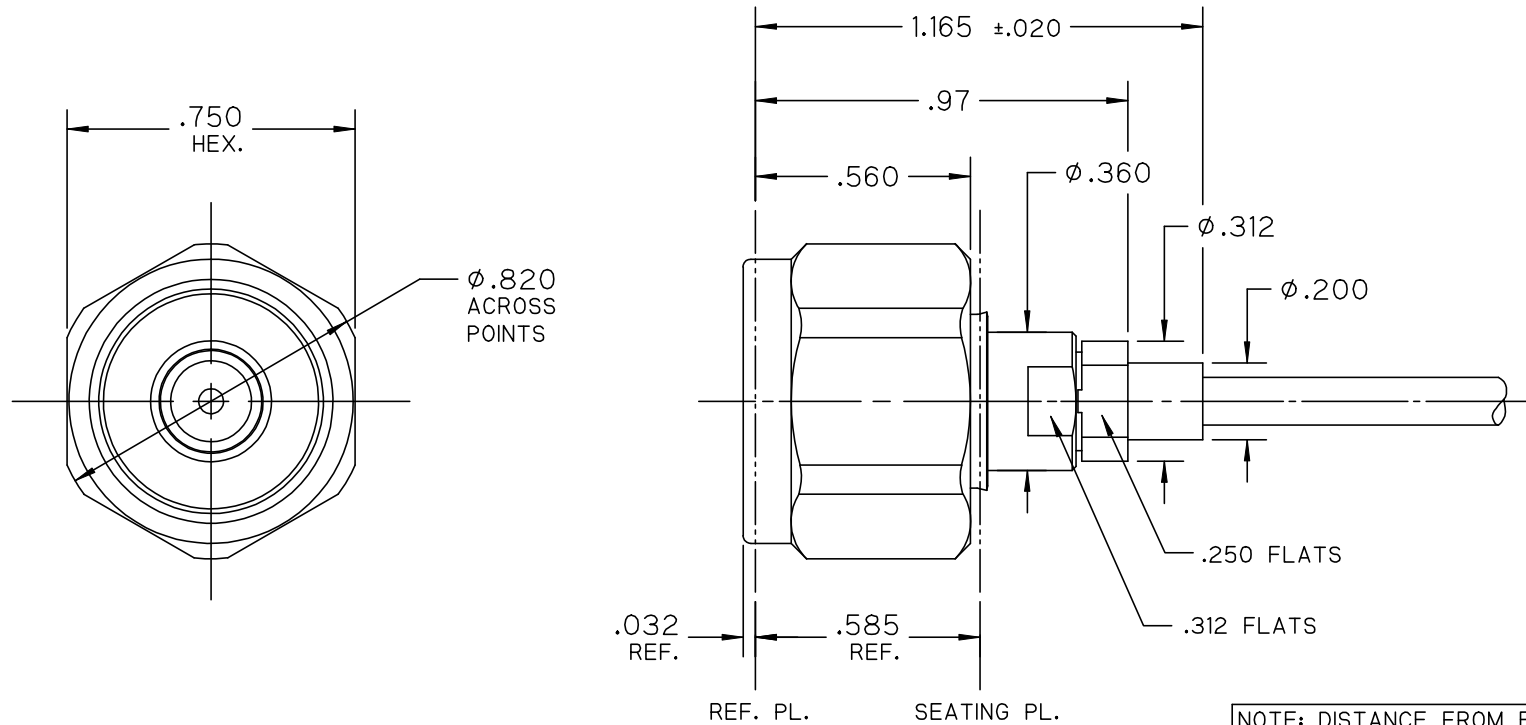


\*\*\*\*\* THIS DRAWING AND ITS CONTENTS ARE THE SOLE PROPERTY OF PRECISION CONNECTOR INC. AND ARE SUBJECT TO CHANGE WITHOUT NOTICE UNLESS OTHERWISE SPECIFIED \*\*\*\*\*

REV.	DESCRIPTION	DATE	BY	APPVD
A	INITIAL RELEASE	06/20/13	MJK	MJK



NOTES :

1.0 MATERIALS:

- 1.1 BODY, BUSHING, COUPLING & CLAMP NUTS: STEEL, CORROSION RESISTANT PER ASTM-A582, UNS NO. S30300.
- 1.2 CENTER CONT.: BERYLLIUM COPPER PER ASTM-B196, UNS C17300.
- 1.3 SOLDER FERRULE: BRASS PER ASTM-B16, UNS C36000.
- 1.4 O-RING & GASKET: SILICONE RUBBER PER A-A-59588.
- 1.5 DIELECTRIC BEAD(S): POLYETHERIMIDE THERMOPLASTIC (ULTEM 1000) PER ASTM-D5205.
- 1.6 INSULATOR(S): PTFE FLUOROCARBON PER ASTM-D1710.

2.0 FINISHES:

- 2.1 BODY, BUSHING, COUPLING & CLAMP NUTS: PASSIVATE PER SAE-AMS-2700.
- 2.2 CENTER CONTACT & SOLDER FERRULE: GOLD PLATE PER ASTM-B488, 50 MICROINCHES MIN. THK. OVER ELECTROLYTIC NICKEL PLATE PER ASTM-B689, 50 MICROINCHES MIN. THK.
- 2.3 O-RING, GASKET & DIELECTRICS: NONE.

3.0 INTERFACE: TYPE N PLUG PER PCI INTERFACE SPECIFICATION PCI-PNP-TL.

NOTE: DISTANCE FROM END OF CABLE CENTER COND. TO REF. PL. IS .490



TOLERANCES UNLESS OTHERWISE SPECIFIED		DRAWN BY: MJK		TITLE : N PLUG, SOLDER CLAMP FOR SEMFLEX HP120 CABLE			
.XX	± .02	DATE: 06/20/13		SCALE	SHEET NO.	DRAWING NUMBER	REV
.XXX	± .005	CAGE CODE		2:1	1 OF 1	3325-0L	A
.XXXX	± .0005	4MJR5					
ANGLES	± 2°						