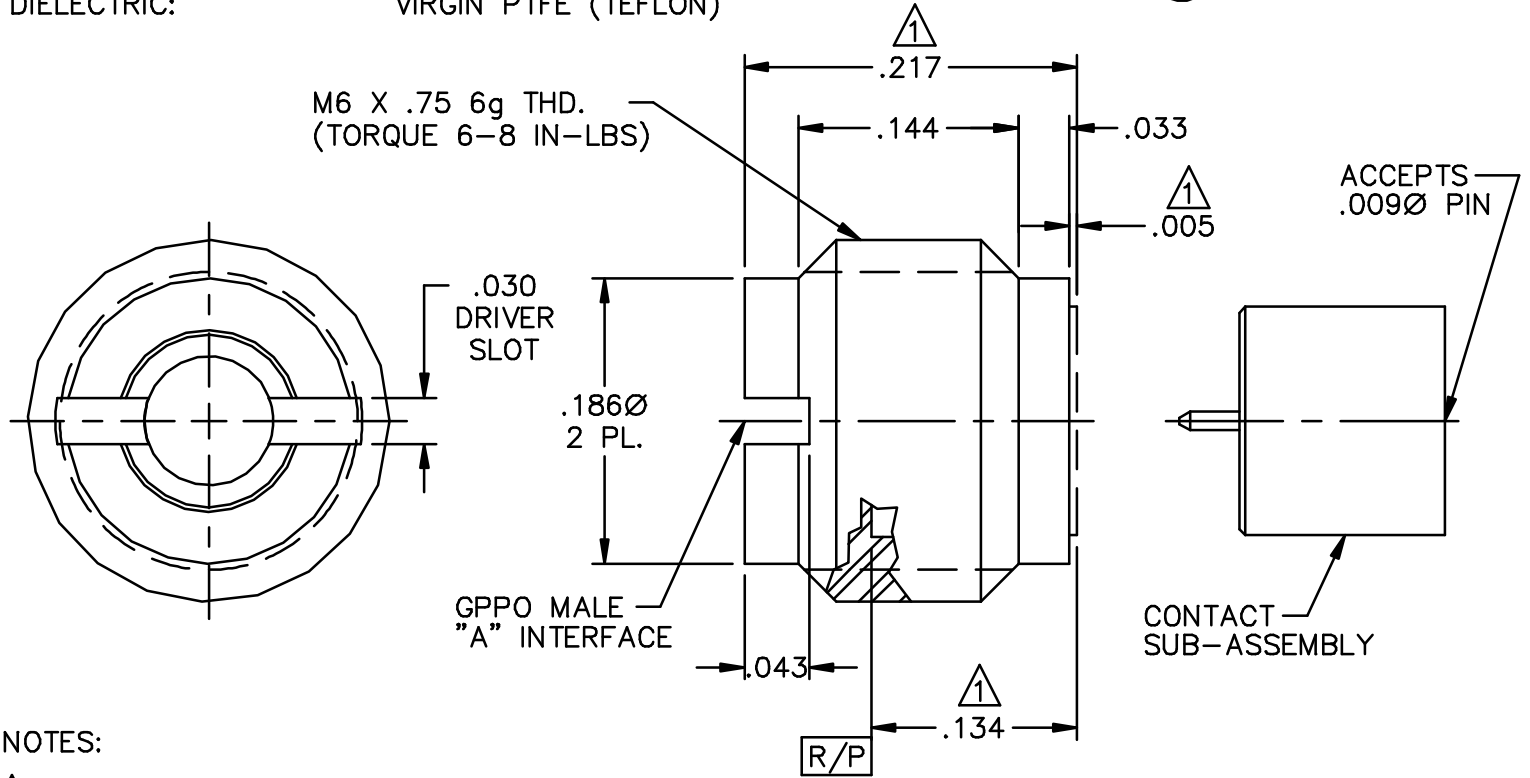
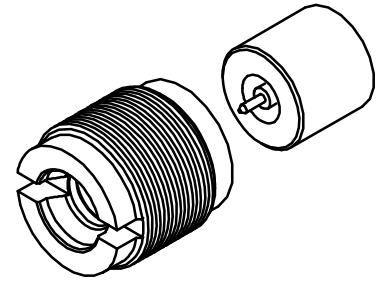


CATALOG NUMBER	"A" INTERFACE
B003-N33-02	FULL DETENT
B003-N35-02	SMOOTH BORE

**MATERIAL AND FINISH**

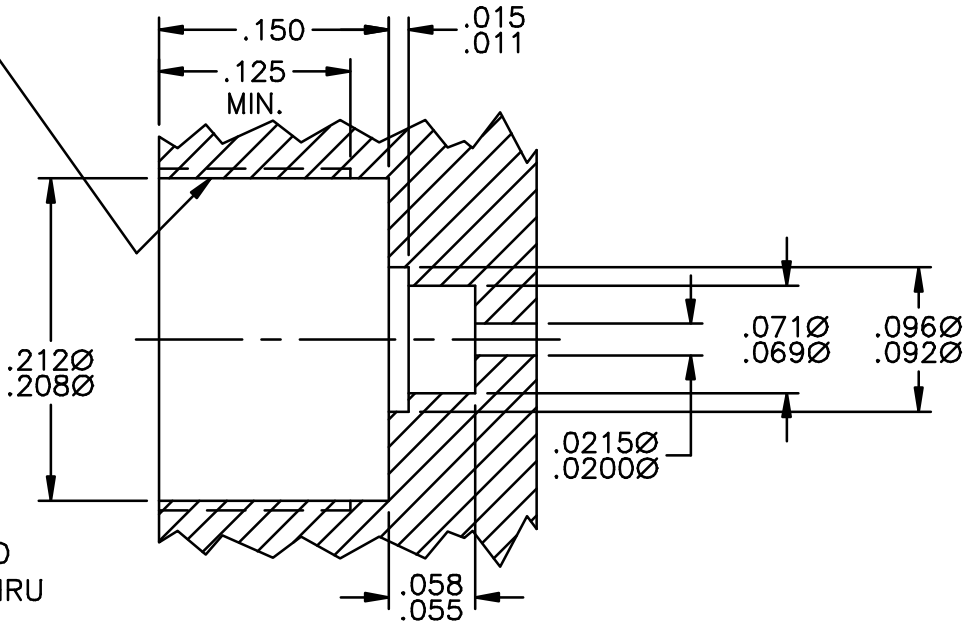
SHROUD AND BUSHING: CRES 303; PASSIVATED  
 CENTER CONTACT: BeCu; GOLD PLATE 50-100 μ INCHES  
 OVER NICKEL PLATE 50 μ INCHES MIN.  
 DIELECTRIC: VIRGIN PTFE (TEFLON)



**NOTES:**

1. WITH CONTACT SUB-ASSEMBLY INSTALLED.

M6 X .75-6G  
 MAJOR DIA. 6.000 MIN.  
 PITCH DIA. 5.645-5.513  
 MINOR DIA. 5.378-5.188  
 ENGLISH:  
 MAJOR DIA. .2362 MIN.  
 PITCH DIA. .2222-.2170  
 MINOR DIA. .2117-.2043



FOR USE WITH STANDARD  
 .009" HERMETIC FEED THRU

GPPO MALE THREAD-IN  
 SHROUD ACCEPTS .009 PIN  
 (TAB DETENT)

IDENT CODE:  
 82316

REVISION: A

**GILBERT  
 ENGINEERING**

SOURCE FILE: SK-1987

DWG. NO.: OL-B003-N3X-02

ASSY. PROC.: -