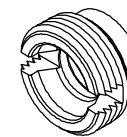
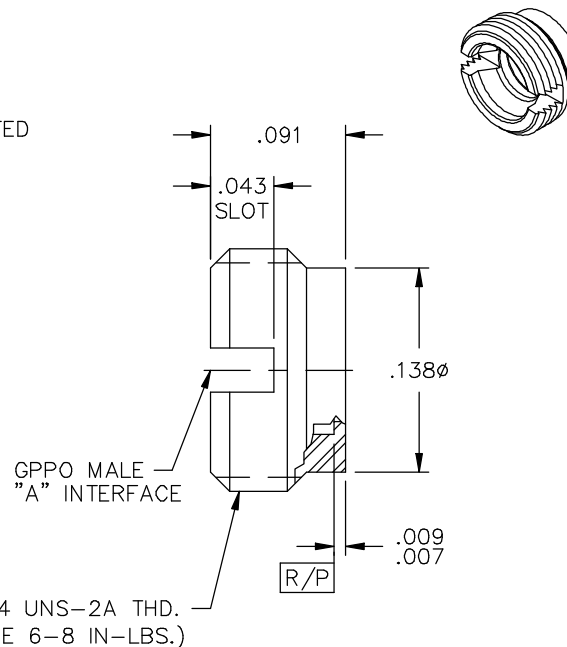
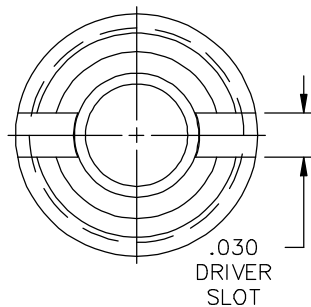


CATALOG NUMBER	"A" INTERFACE
B003-A23-01	FULL DETENT
B003-A25-01	SMOOTH BORE

MATERIAL AND FINISH

SHROUD: CRES 303; PASSIVATED



RECOMMENDED TOOLING

- SEAL LOCATING TOOL
B090-A99-05
- SHROUD DRIVER
B097-A99-01 (FULL DETENT)
B097-A99-02 (SMOOTH BORE)
- STARTING TAP
B099-A99-01
- BOTTOM TAP
B099-A99-02

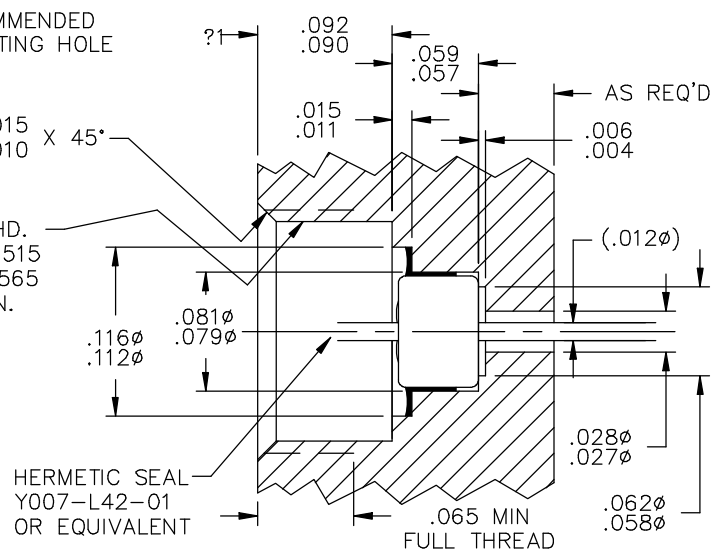
RECOMMENDED MOUNTING HOLE

.015 x 45°
.010

.164-64 UNS-2B THD.
MINOR DIA. .1453-.1515
PITCH DIA. .1538-.1565
MAJOR DIA. .164 MIN.

NOTES:

?1. DIMENSION SHOWN IS FOR SHROUD FACE FLUSH WITH MODULE WALL. USE .114-.116 FOR FLUSH MODULE TO MODULE CONDITION WITH .210 INCH LONG INTERCONNECT.



This drawing and any data contained herein is the property of Corning Gilbert Inc., and constitutes and contains proprietary and confidential information. Neither receipt nor possession of this drawing confers or transfers any right to duplicate, use or disclose any information contained herein except as expressly authorized by Corning Gilbert Inc.

GPPO THREAD-IN SHROUD (TAB DETENT)	IDENT CODE: 82316	Corning Gilbert Inc.
	REVISION: A1	
SOURCE FILE: MECR# 1519	DWG. NO.: OL-B003-A2X-01	ASSY. PROC.: AP01-101