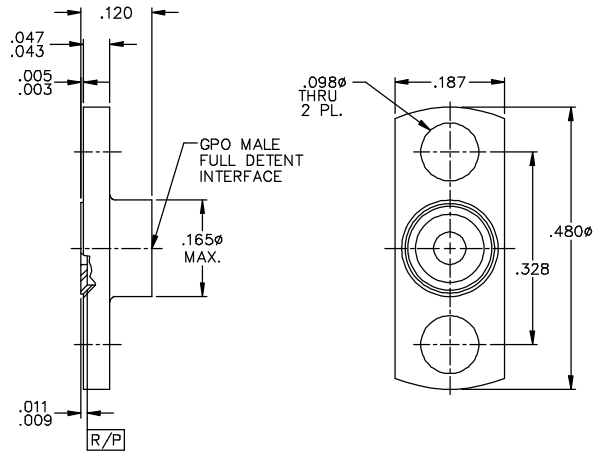


All rights are reserved herein by the property of Gilbert Engineering Co., Inc. and shall remain the property of the company. No part of this drawing, or its contents, may be reproduced, stored in a retrieval system, or transmitted in any form or by any means, electronic, mechanical, photocopying, recording, or by any information storage and retrieval system, without the prior written permission of Gilbert Engineering Co., Inc.

REV.	DESCRIPTION	DATE	APP'D.
B	SEE ECO GM-8437	7/8/98	

MATERIAL AND FINISH

SHROUD: CRES 303 PER ASTM A 484
AND ASTM A 582 OR ASTM A 555
AND ASTM A 581. PASSIVATE PER
MIL-F-14072 E300.



ALL DIMENSIONS ARE IN INCHES

CAT. NO. 0119-946-3

CODE IDENT. NO. 82316

GILBERT ENGINEERING CO., INC.

BY	DATE	TITLE
JRM	7/8/98	OUTLINE DRAWING FOR GPO FULL DETENT SHROUD
ASSEMBLY PROCEDURES: NONE		
SOURCE FILE: MECR #555	SHT. 1 OF 1	DWG. NO. OL-0119-946-3
		REV B