

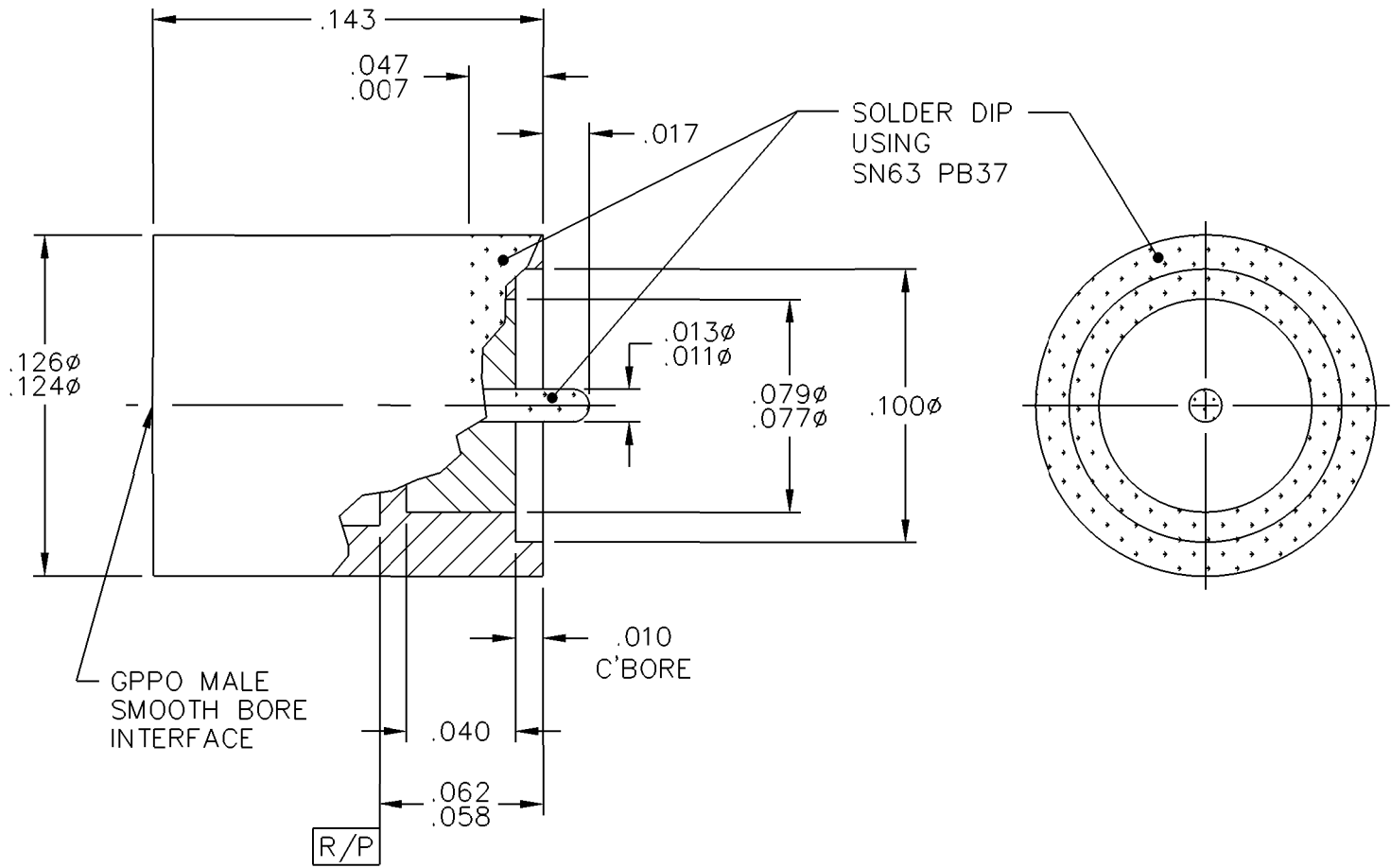
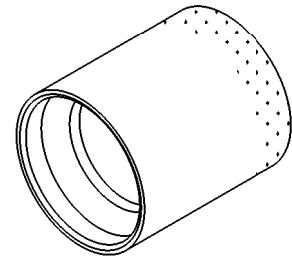
CATALOG NUMBER

B007-L45-01-T

MATERIAL AND FINISH

HOUSING AND
CENTER CONTACT:
DIELECTRIC:

IRON-NICKEL-COBALT SEALING ALLOY
(KOVAR) PER ASTM F 15; GOLD PLATE
CORNING 7070 GLASS



This drawing and any data contained herein is the property of Corning Gilbert Inc., and constitutes and contains proprietary and confidential information. Neither receipt nor possession of this drawing confers or transfers any right to duplicate, use or disclose any information contained herein except as expressly authorized by Corning Gilbert Inc.

GPPO MALE SMOOTH BORE
HIGH POWER 63 OHM HERMETIC
SHROUD SOLDER-IN

IDENT CODE:
82316

REVISION: A

Corning Gilbert Inc.

SOURCE FILE: SK-2134

DWG. NO.: OL-B007-L45-01-T

ASSY. PROC.: -