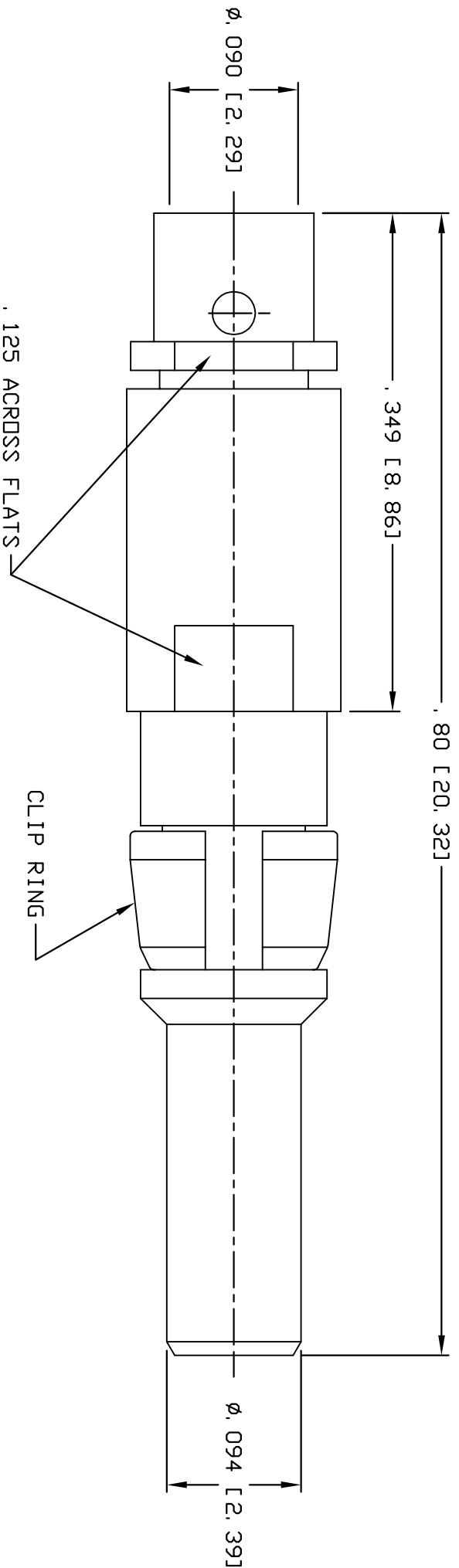


THESE ITEM(S)/TECHNICAL DATA ARE CONTROLLED BY THE DEPARTMENT OF STATE, INTERNATIONAL TRAFFIC IN ARMS REGULATIONS (ITAR) 22 CFR PARTS 120-130 AND CAN NOT BE EXPORTED FROM THE UNITED STATES OR SHARED WITH A FOREIGN NATIONAL WITHOUT PRIOR APPROVAL FROM THE UNITED STATES GOVERNMENT.



- NOTES:**
1. DESIGN AND INTERFACE PER I. D. S. -56A.
  2. ACCOMMODATES TPLEX-405 OR SIMILAR CABLES.
  3. SOLDER NUT SHIPPED LOOSE.
  4. USED IN BENDIX LRM OR SIZE 12 D-SUB HOUSINGS.

REV.	DESCRIPTION	DATE	APPR.	<p><b>PALCO</b> <b>CONDUCTOR</b></p> <p>22 GREAT HILL RD., NAUGATUCK, CT 06770</p> <p>UNLESS OTHERWISE SPECIFIED, PALCO WORKMANSHIP STANDARDS APPLY</p> <p>TOLERANCES DN: DECIMALS: XX ±.01, XXX ±.005 ANGLES ±1/2° 32'</p> <p>DIMENSIONS IN INCHES OR (METRIC) DD NOT SCALE PRINTS</p> <p>FSR #9213j</p>				
A	PER ECN 9893	04/24/09	JEM					
B	PER ECN 12256	12/21/15	JEM					
C	PER ECN 12544	06/20/17	RMB					
				DRAWN	CHECKED	ENGINEER	APPROVED	FSCM
				EK	JEM	EK	JEM	58167
				DATE	DESCRIPTION			
				04/24/09	SIZE 12 PKZ PLUG, SOLDER CLAMP			
				DRAWING NO.	PLATING OPT.			
				56-0302-0866	A			