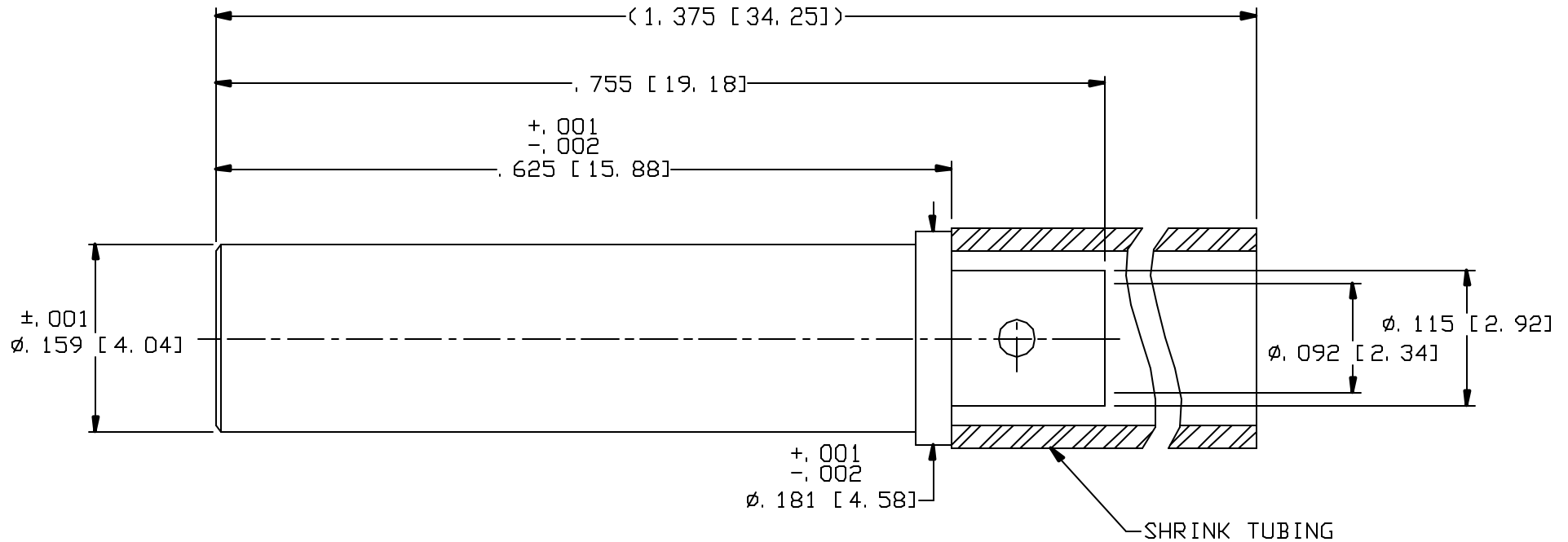


CAD DRAWING - NO MANUAL REVISIONS



NOTES:

1. DESIGN AND INTERFACE PER I. D. S. -56B.
2. PROCESS ALL ECNs PER DS-12.
3. ACCOMMODATES TIMES T-FLEX 405 CABLE.
4. USED IN MIL-C-38999, SERIES I, III & IV CONNECTORS.
5. SHRINK TUBING SHIPPED LOOSE.

				<p>PALCO CONNECTOR</p> <p>22 GREAT HILL RD., NAUGATUCK, CT 06770</p> <p>UNLESS OTHERWISE SPECIFIED, PALCO WORKMANSHIP STANDARDS APPLY</p> <p>TOLERANCES ON: DECIMALS: XX $\pm .01$.XXX $\pm .005$ ANGLES $\pm 1/2^\circ$ $\sqrt{32}$</p> <p>DIMENSIONS IN INCHES OR (METRIC) DO NOT SCALE PRINTS</p> <p>EPR 8621, LOCKHEED SANDERS</p>	DRAWN EK	CHECKED JEM	ENGINEER HN	APPROVED JEM	FSCM 58167
C	PER ECN 9455	07/29/08	JEM			DESCRIPTION SIZE 12 PKZ RECEPTACLE, DIRECT SOLDER			
B	PER ECN 8102	07/21/05	JEM			DATE 06/11/97	DRAWING NO. 56-1021-0861	PLATING OPT. A	
A	REL. ECN 3934	06/11/97	HN						
REV.	DESCRIPTION	DATE	APPR.						

THE INFORMATION IN THIS DOCUMENT IS CONFIDENTIAL AND PROPRIETARY AND MAY NOT BE USED FOR ANY PURPOSE WITHOUT THE WRITTEN CONSENT OF PALCO.