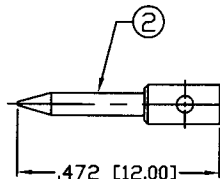
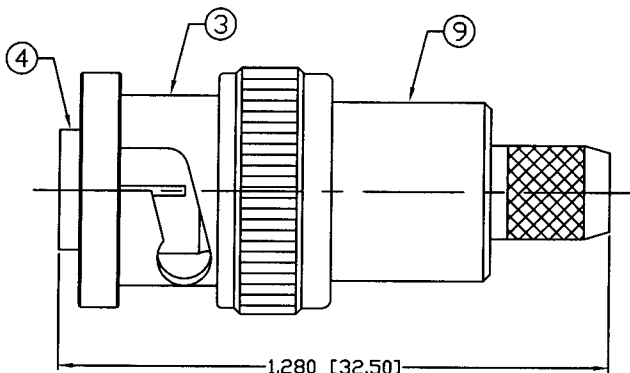


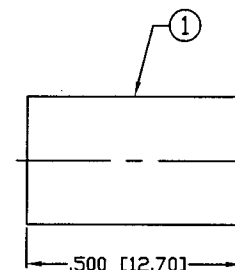
THIS DRAWING CONTAINS INFORMATION PROPRIETARY TO RF INDUSTRIES.
 ANY UNAUTHORIZED USE OF THIS DRAWING IS EXPRESSLY PROHIBITED
 WITHOUT WRITTEN PERMISSION FROM RF INDUSTRIES.
 ANY VIOLATION IS PUNISHABLE UNDER U.S. COPYRIGHT LAWS.

ALL DIMENSIONS ARE REFERENCE ONLY

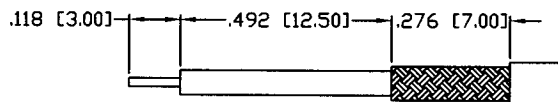
PART NO. RHV-106-D				
REV	DESCRIPTION	DWN	DATE	APPROVED
-	ENGINEERING RELEASE	GJG	8/22/96	JDMc
A	REMOVED CRIMP DIE .068 FOR PIN.	JDM	7/10/03	JDMc



"SOLDER ONLY"



RECOMMENDED CRIMP DIE: .255"



RECOMMENDED STRIPPING DIMENSIONS

SPECIFICATIONS:

IMPEDANCE: Non-Constant
 WORKING VOLTAGE: 5K V rms @ sea level
 TEMPERATURE RANGE: -65°C TO 85°C
 INSULATION RESISTANCE: 5k M Ohms min.
 FOR RG-59, 59A, 59B, 62, 62A, 62C/U; ALPHA 9059, 9062,
 9830, 9840, 9845; BELDEN 8221, 8241, 9169, 9204,
 9228; CANARE LV-61S; CommScope 5555, 5560, 5563

1	FERRULE	1	BRASS	NICKEL, 70μ"
2	PIN	1	BRASS	GOLD, 3μ"
3	SHELL	1	BRASS	NICKEL, 70μ"
4	INSULATOR	1	PTFE	---
5	GASKET	1	SILICONE	---
6	WASHER	1	BRASS	NICKEL, 70μ"
7	SPRING	1	SK-5	NICKEL, 70μ"
8	WASHER	1	BRASS	NICKEL, 70μ"
9	BODY	1	BRASS	NICKEL, 70μ"
10				
11				
12				
13				
14				
#	DESCRIPTION	QTY	MATRL	FINISH

008974	
DRAWN	JDM
CHECKED	JDM
ORJ DRAWN	G. GALLEGOS
APPROVALS	
DATE	7/10/03
	3/19/02

UNLESS OTHERWISE SPECIFIED:
 1. REMOVE ALL BURRS
 2. BREAK ALL CORNERS & EDGES .005 R. MAX.
 3. CHAMFER 1ST & LAST THREADS 45°
 4. SURFACE ROUGHNESS 63 FINISH MIL-STD-10
 5. DIAMETERS ON COMMON CENTERS TO BE CONCENTRIC WITHIN .002 T.I.R.
 6. ALL DIMENSIONS ARE AFTER PLATING.

DIMENSIONS ARE IN INCHES AND [MILLIMETERS]
 UNLESS OTHERWISE NOTED TOLERANCES ARE:
 DECIMALS DIAMETER
 .xxx±.003 [.08] .xxx±.001 [.03]
 .xx±.005 [.13] .xx±.003 [.08]

7610 MIRAMAR RD
 SAN DIEGO, CA 92126
 (858) 549-6340
 (858) 549-6345 FAX

RF connectors
 DIVISION OF RF INDUSTRIES, LTD.

MHV PLUG CRIMP

SIZE A	CABLE GROUP D	DWG NO. RHV-106-D	REV A
SCALE: NTS		CAD FILE OUTLINE	SHEET 1 OF 1