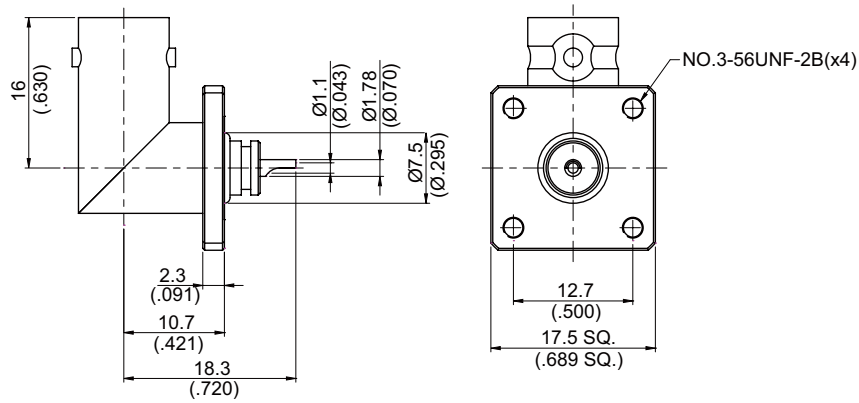
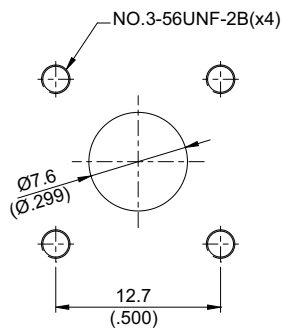


MHV864A-9000

MHV Jack For Panel Receptacle Right Angle 50Ω



MOUNTING HOLE



Parts	Material	Plating(Micro-inch)
Insulator	Teflon	
Contact Pin	Beryllium Copper	Gold 4 Over Nickel-Phosphorous Alloy 80 Over Copper 20
Body	Brass	Tin-Zinc-Copper-Alloy 100 Over Copper 50

Weight:

This part number complies with RoHS.

Notice: JYEBAO reserves the right to make modifications deemed appropriate.