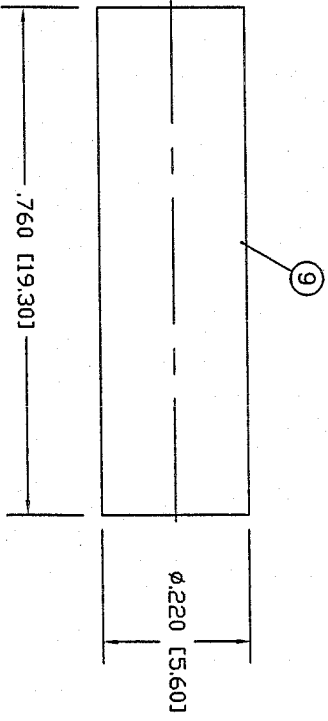
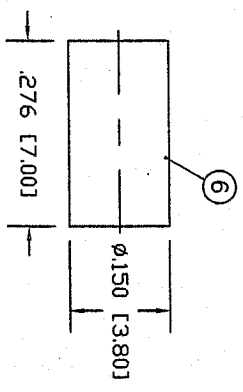
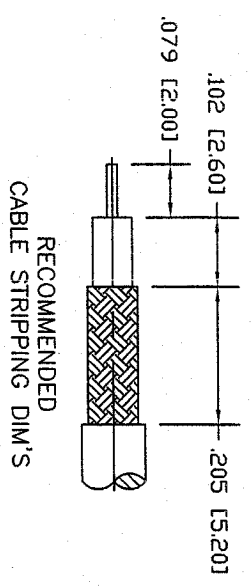
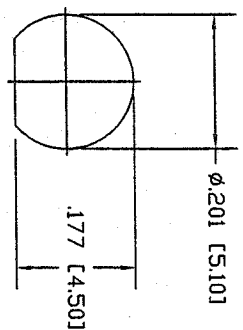
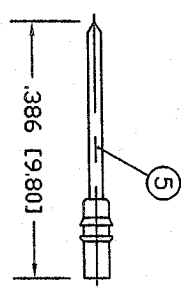
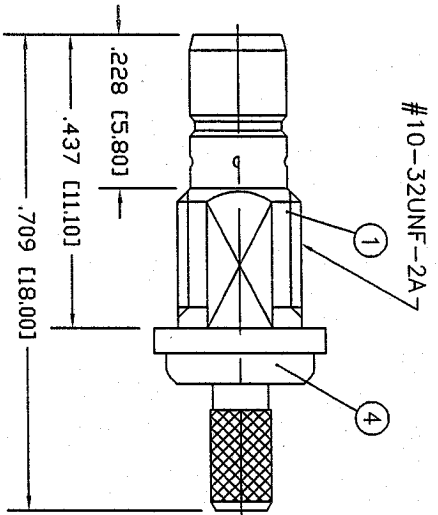
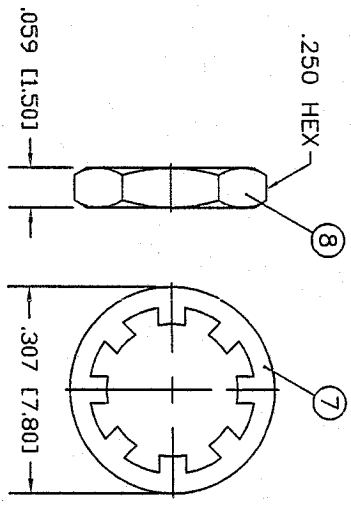


THIS DRAWING CONTAINS INFORMATION PROPRIETARY TO RF INDUSTRIES, ANY UNAUTHORIZED USE OF THIS DRAWING IS EXPRESSLY PROHIBITED WITHOUT WRITTEN PERMISSION FROM RF INDUSTRIES. ANY VIOLATION IS PUNISHABLE UNDER U.S. COPYRIGHT LAWS.

PART NO.		RSB-221-1-179	
REV	DESCRIPTION	DWN	DATE
-	ENGINEERING RELEASE	JDM	9/20/99
			APPROVED
			JDMc



SPECIFICATIONS:

IMPEDANCE: 75 OHMS

1. CRIMPED FERRULE
HEX CRIMP SIZE .128"

MINI 75 OHM SMB CRIMP JACK

1	BODY	1	BRASS	GOLD, 3 MICRO	008974
2	INSULATOR	1	PTFE	---	
3	INSULATOR	1	PTFE	---	
4	REAR BODY	1	BRASS	GOLD, 3 MICRO	
5	PIN	1	BRASS	GOLD, 30 MICRO	
6	FERRULE	1	COPPER	GOLD, 3 MICRO	
7	LOCK WASHER	1	BRASS	GOLD, 3 MICRO	
8	HEX NUT	1	BRASS	GOLD, 3 MICRO	
9	SHRINK TUBE	1	BRASS	GOLD, 3 MICRO	
10					

UNLESS OTHERWISE SPECIFIED:
 1. REMOVE ALL BURRS
 2. BREAK ALL CORNERS & EDGES .005 R. MAX.
 3. CHAMFER 1ST & LAST THREADS 45°
 4. SURFACE ROUGHNESS 63 FINISH MIL.-STD.-10
 5. DIAMETERS ON COMMON CENTERS TO BE CONCENTRIC WITHIN .002 T.I.R.
 6. ALL DIMENSIONS ARE AFTER PLATING.
 DIMENSIONS ARE IN INCHES AND [MILLIMETERS]
 UNLESS OTHERWISE NOTED TOLERANCES ARE:
 DECIMALS .XXX±.003 [.08]
 DIAMETER .XXX±.001 [.03]
 .XXX±.005 [.13]

RF connectors
 DIVISION OF RF INDUSTRIES, LTD.
 7610 MIRAMAR RD
 SAN DIEGO, CA 92126
 (858)549-6340
 (858)549-6345 FAX

MINI SMB JACK
 75 Ohm, CRIMP

SIZE: A
 CABLE GROUP: S
 DWG. NO.: RSB-221-1-179
 SCALE: NTS
 CAD FILE: OUTLINE
 SHEET: 1 OF 1