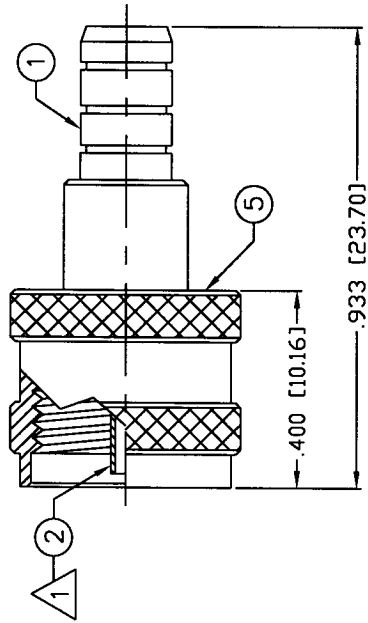


THIS DRAWING CONTAINS INFORMATION PROPRIETARY TO RF INDUSTRIES.
 ANY UNAUTHORIZED USE OF THIS DRAWING IS EXPRESSLY PROHIBITED
 WITHOUT WRITTEN PERMISSION FROM RF INDUSTRIES.
 ANY VIOLATION IS PUNISHABLE UNDER U.S. COPYRIGHT LAWS.

ALL DIMENSIONS ARE REFERENCE ONLY



1 RECOMENED CRIMP DIE: .052"

SPECIFICATIONS:

IMPEDANCE: 50 Ohms
 FREQUENCY RANGE: 0-2.5 GHz
 WORKING VOLTAGE: 335 V rms Max. @ Sea Level
 VSWR MAX: 1.25
 FOR RG-55, 55A, 55B, 142, 142A, 142B, 223 & 400/U,
 ALPHA 9055, 9055B, 9223, BELDEN 8219, 83242, 84142

1	BODY	1	BRASS	NICKEL, 100/μ"	000486	
2	CONTACT	1	BRASS	GOLD, 3μ"		
3	INSULATOR	1	DELTRIN	---		
4	FERRULE	1	BRASS	NICKEL, 100/μ"		
5	SHELL	1	BRASS	NICKEL, 100/μ"		
6						
7						
8						
9						
10						
11						
12						
13						
14						
#	DESCRIPTION	QTY	MATERIAL	FINISH	APPROVALS	DATE
					C. ZUNIGA	2/25/03
					ORJ DRAWN	7-25-03
					C. ZUNIGA	8/8/97

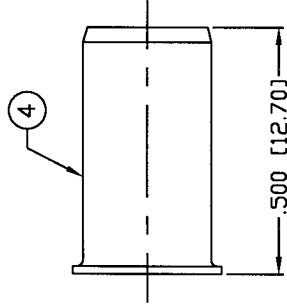
UNLESS OTHERWISE SPECIFIED:
 1. REMOVE ALL BURRS
 2. BREAK ALL CORNERS & EDGES .005 R. MAX.
 3. CHAMFER 1ST & LAST THREADS 45°
 4. SURFACE ROUGHNESS 63 FINISH MIL-STD-10
 5. DIAMETERS ON COMMON CENTERS TO BE CONCENTRIC WITHIN .002 T.I.R.
 6. ALL DIMENSIONS ARE AFTER PLATING.

DIMENSIONS ARE IN INCHES AND [MILLIMETERS]
 UNLESS OTHERWISE NOTED
 TOLERANCES ARE:
 DECIMALS DIAMETER
 .xxx±.001 [.03]
 .xx±.005 [.13]
 .xx±.003 [.08]

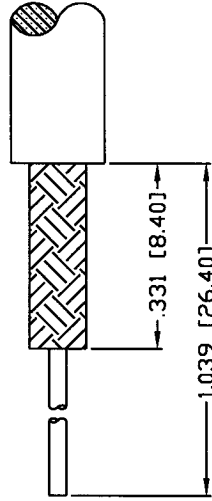
RFU-600-1C1

PART NO.

REV	DESCRIPTION	DWN	DATE	APPROVED
A	ENGINEERING RELEASE	CZS	8/8/97	R. RICE
B	CHANGE CABLE LISTING / UPDATE CONN. DIMS & DWG. FORMAT	CZS	7/26/00	JDMc



RECOMENED CRIMP DIE: .213"



RECOMENED STRIPPING INSTRUCTIONS

RFconnectors
 DIVISION OF RF INDUSTRIES, LTD.
 7610 MIRAMAR RD
 SAN DIEGO, CA 92126
 (858) 549-6340
 (858) 549-6345 FAX

MINI UHF PLUG, CRIMP

SIZE	A	CABLE GROUP	C1	DWG NO.	RFU-600-1C1	REV	B
SCALE:	NTS	CAD FILE	OUTLINE			SHEET	1 OF 1