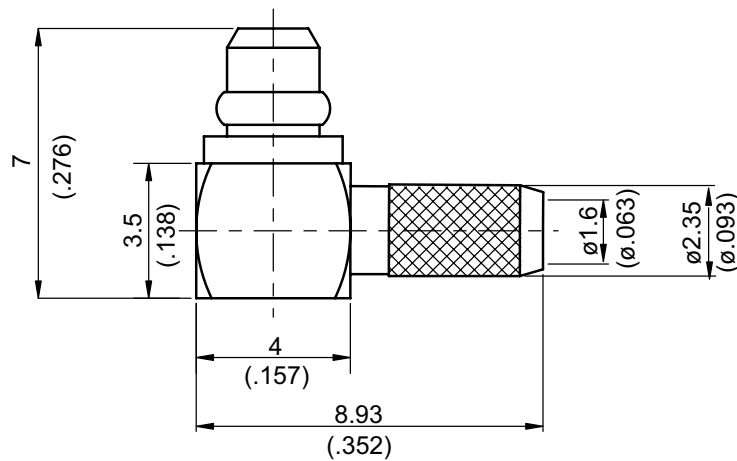


MMCX3100-9316

MMCX Plug Crimp Right Angle 50Ω



| Parts       | Material         | Plating (Micro-inch)                  |
|-------------|------------------|---------------------------------------|
| Ferrule     | Brass            | Gold 5 Over Nickel 50 Over Copper 50  |
| Cover       | Brass            | Gold 5 Over Nickel 50 Over Copper 50  |
| Contact Pin | Brass            | Gold 20 Over Nickel 50 Over Copper 50 |
| Renber Ring | Beryllium Copper | Gold 5 Over Nickel 50 Over Copper 50  |
| Insulator   | Teflon           |                                       |
| Barrel      | Brass            | Gold 5 Over Nickel 50 Over Copper 50  |

Weight: 0.74 g

Suitable Cables: RG174, RG188, RG316, RG316-E, RG316-FEP

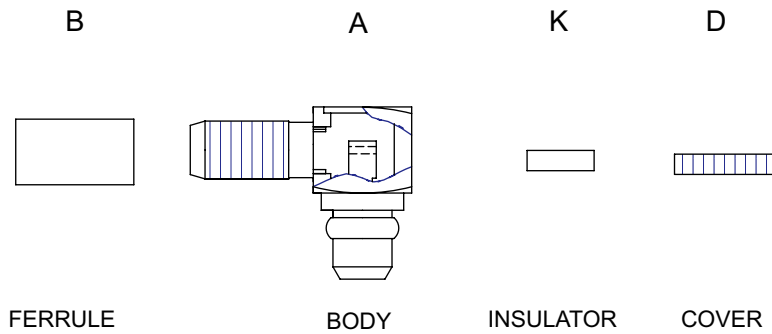
This part number complies with RoHS.

Notice: JYEBAO reserves the right to make modifications deemed appropriate.

## CABLE ASSEMBLY INSTRUCTION

MMCX3100-9316

JYE BAO CO., LTD.



\* TOOLS AND FIXTURES ARE REFERENCE ON  
PAGE 306 OF JYEBAO'S 2005 CATALOG.

| DIAGRAM | ASSEMBLY INSTRUCTION  |
|---------|---|
|         | <p>Step 1: STRIP AS SHOWN .</p>   |
|         | <p>Step 2: SLIDE FERRULE " B " OVER CABLE .<br/>           Step 3: WRAP THE BRAIDING UPWARDS.<br/>           Step 4: SLIDE CENTER CONDUCTOR ON THE CONTACT PIN OF CONNECTOR " A " AND SOLDER IN " Y " .</p> |
|         | <p>Step 5: SLIDE FERRULE " B " TOWARDS THE CONNECTOR " A " AND CRIMP .</p>  |
|         | <p>Step 6: PRESS ON THE TOP OF " K " " D " WITH JIGS .</p>  |

**This part number complies with RoHS.**

**Notice: JYEBAO reserves the right to make modifications deemed appropriate.**