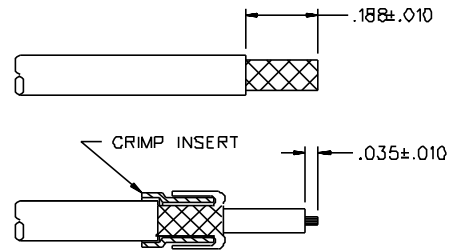
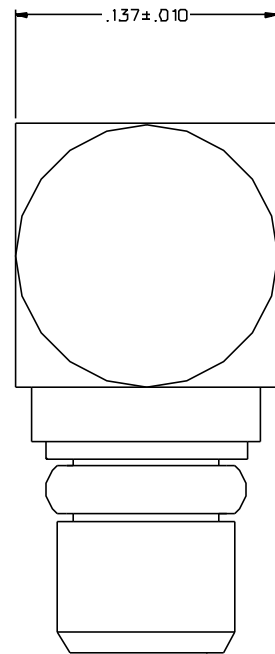
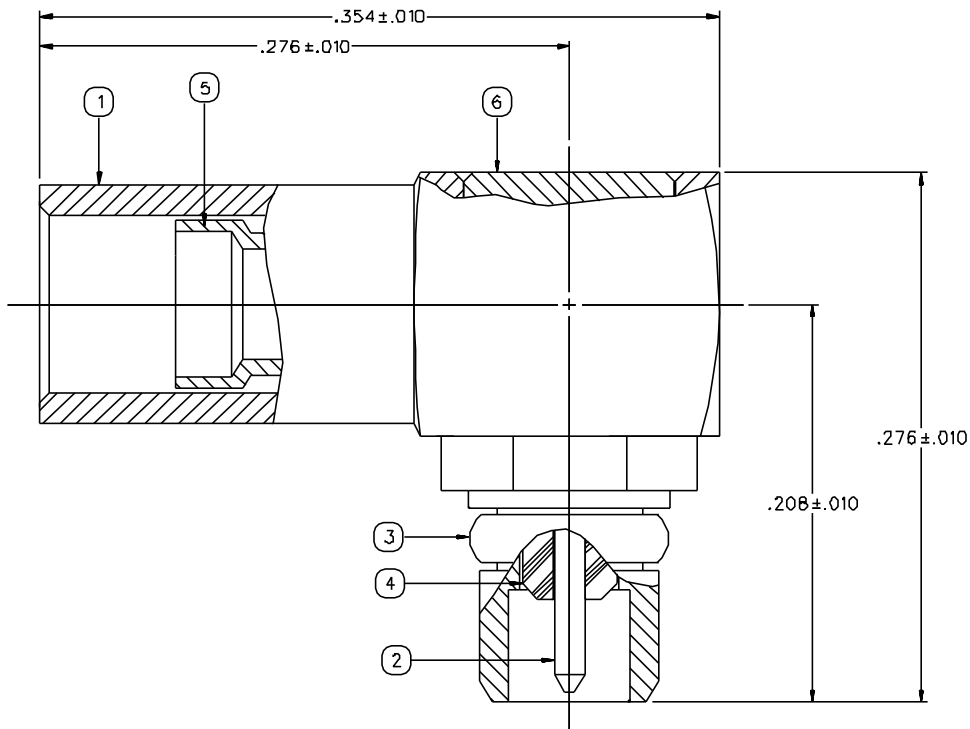


PART NUMBER	ITEM ① BODY	ITEM ② CONTACT	ITEM ③ INTERFACE SPRING	ITEM ④ INSULATOR	ITEM ⑤ CRIMP INSERT	ITEM ⑥ END CAP
135-3402-101	BRASS GOLD PL .00001 MIN OVER NICKEL PL .00005 MIN OVER COPPER PL .00005 MIN	BERYLLIUM COPPER GOLD PL .00003 MIN OVER NICKEL PL .00005 MIN OVER COPPER PL .00005 MIN	BERYLLIUM COPPER GOLD PL .00003 MIN OVER NICKEL PL .00005 MIN OVER COPPER PL .00005 MIN	TEFLON	BRASS GOLD PL .00001 MIN OVER NICKEL PL .00005 MIN OVER COPPER PL .00005 MIN	BRASS GOLD PL .00001 MIN OVER NICKEL PL .00005 MIN OVER COPPER PL .00005 MIN

DRAWING NO. C - 135-3402-101/110			
0 REVISIONS			
ENGINEERING RELEASE			
1	1-17-97	R	4-15-97 ECN 44533
VERSION UPDATE			
2	3-26-99	R	ECN 45374



CABLE STRIP DIMENSIONS
4:1

NOTES:

1. SPECIFICATIONS:

IMPEDANCE: 50 OHMS
 FREQUENCY RANGE: 0-6 GHz
 VSWR: 1.25 MAX
 WORKING VOLTAGE: 170 VRMS MAX AT SEA LEVEL
 DIELECTRIC WITHSTANDING VOLTAGE: 500 VRMS MIN AT SEA LEVEL
 INSULATION RESISTANCE: 1000 MEGOHM MIN
 CONTACT RESISTANCE:
 CENTER CONTACT - INITIAL 5.0 MILLIOHM MAX, AFTER ENVIRONMENTAL 15.0 MILLIOHM MAX
 OUTER CONDUCTOR - GOLD PLATED INITIAL 1 MILLIOHM MAX, AFTER ENVIRONMENTAL 1.5 MILLIOHM MAX
 BODY TO BRAID - GOLD PLATED INITIAL 5.0 MILLIOHM MAX, AFTER ENVIRONMENTAL NOT APPLICABLE
 CORONA LEVEL: 190 VOLTS MINIMUM AT 70,000 FEET
 INSERTION LOSS: 0.2 DB MAX AT 1 GHz
 RF LEAKAGE: -60 DB 2.5 GHz
 RF HIGH POTENTIAL WITHSTANDING VOLTAGE: 400 VRMS AT 4 AND 7 MHZ

MECHANICAL:

ENGAGE/DISENGAGE FORCE: 8.0 LBS MAX ENGAGEMENT
 1.4 LBS MIN DISENGAGEMENT
 CONTACT RETENTION FORCE: 2.0 LBS MIN AXIAL FORCE
 CONTACT RETENTION TORQUE: NOT APPLICABLE
 COUPLING MECHANISM RETENTION: NOT APPLICABLE
 CABLE ACCEPTABILITY: RG 178/U, RG 196/U
 CABLE HEX CRIMP SIZE: .105
 CABLE RETENTION: 7 LBS
 DURABILITY: 500 CYCLES MIN

ENVIRONMENTAL:

(MEETS OR EXCEEDS THE APPLICABLE PARAGRAPH OF MIL-C-39012)
 THERMAL SHOCK: MIL-STD-202, METHOD 107, CONDITION C, EXCEPT -55 DEG C TO 155 DEG C
 OPERATING TEMPERATURE: -55 DEG C TO 155 DEG C
 CORROSION: MIL-STD-202, METHOD 101, CONDITION B
 SHOCK: MIL-STD-202, METHOD 213, CONDITION B
 VIBRATION: MIL-STD-202, METHOD 204, CONDITION D
 MOISTURE: MIL-STD-202, METHOD 106

CUSTOMER DRAWING

THIS DRAWING TO BE INTERPRETED PER ANSIZ 14.5M - 1982

"μSTATION"

COMPANY CONFIDENTIAL

TOLERANCE UNLESS OTHERWISE SPECIFIED	DRAWN BY TAK	DATE 9-27-96		
DECIMALS .XX	CHECKED BY	DATE	TITLE PLUG ASSEMBLY RIGHT ANGLE, RG 178 MMCX	
.XXX+-.003	APPROVED BY TAK	DATE 3-27-97	CODE NO.	DRAWING NO. C - 135-3402-101/120
MATL	APPROVED BY RJB	DATE 3-31-97	SCALE 2D:1	U/M INCH
FINISH	RELEASE DATE	4-15-97	SHEET 2 OF 2	

299 Johnson Ave.
 P.O. Box 1732
 Waseca, MN 56093-0832