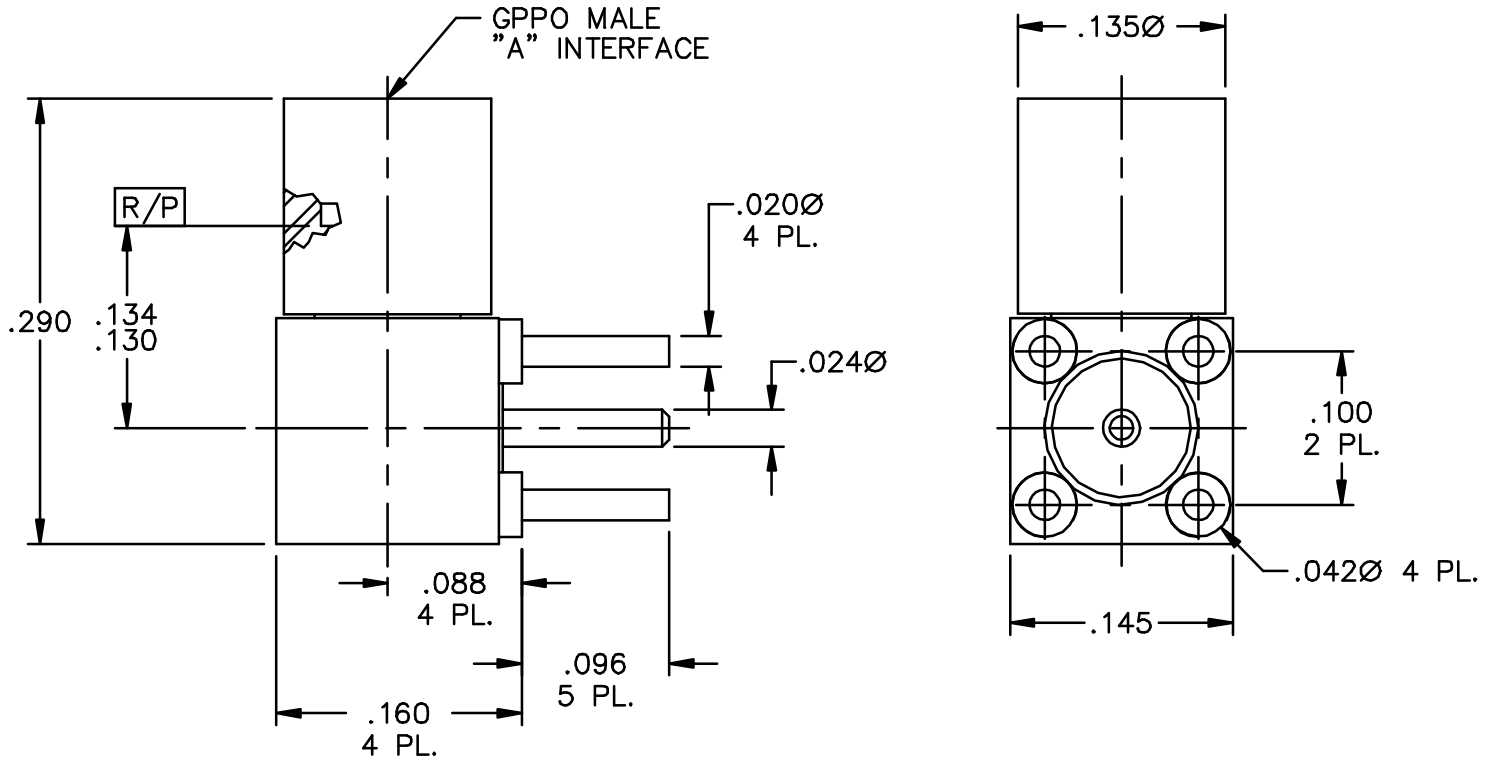
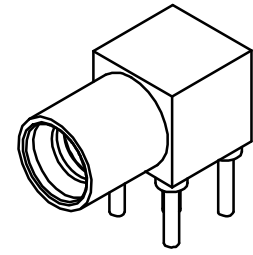


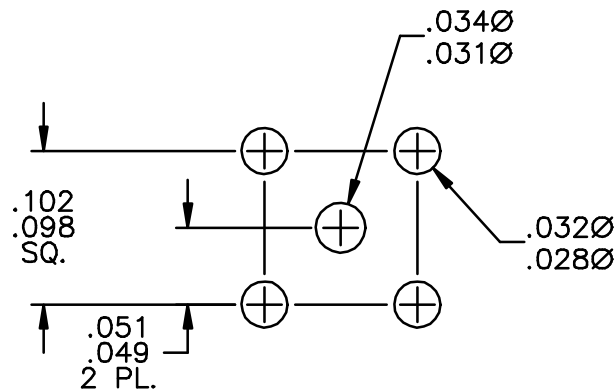
CATALOG NUMBER	"A" INTERFACE
B009-P33-01	FULL DETENT
B009-P35-01	SMOOTH BORE

MATERIAL AND FINISH

SHROUD AND BUSHING: CRES 303; PASSIVATED
 CENTER CONTACT AND R/A HOUSING: BeCu; GOLD PLATE 50-100 MICRONS OVER NICKEL PLATE 50 MICRONS MIN.
 DIELECTRIC: VIRGIN PTFE



RECOMMENDED MOUNTING HOLE AND PATTERN



This drawing and any data contained herein is the property of Corning Gilbert Inc., and constitutes and contains proprietary and confidential information. Neither receipt nor possession of this drawing confers or transfers any right to duplicate, use or disclose any information contained herein except as expressly authorized by Corning Gilbert Inc.

GPPO MALE
 R/A PCB MOUNT
 (TAB DETENT)

IDENT CODE:
 82316

REVISION: C2

Corning Gilbert Inc.

SOURCE FILE: MECR# 2391

DWG. NO.: OL-B009-P3X-01

ASSY. PROC.: -