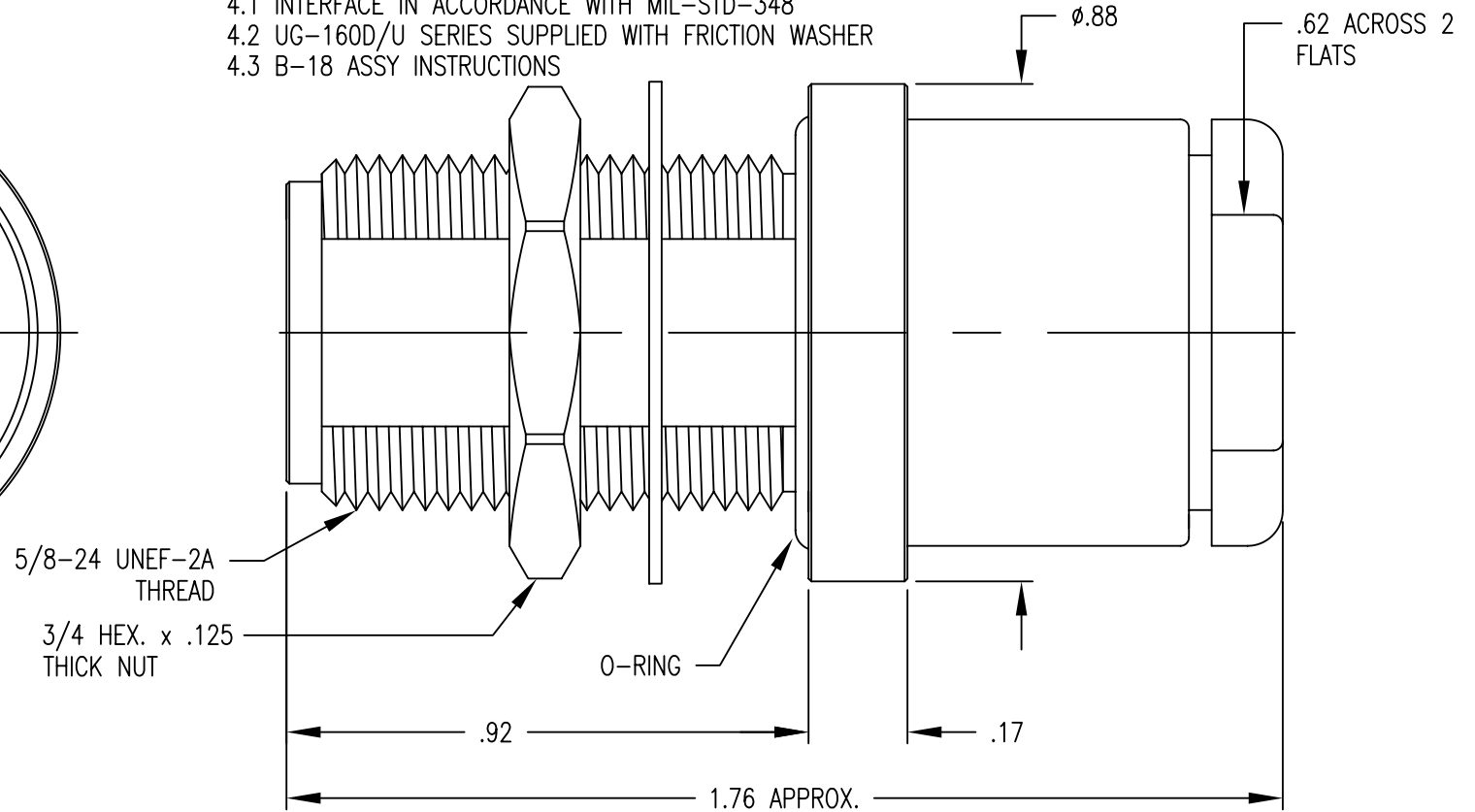
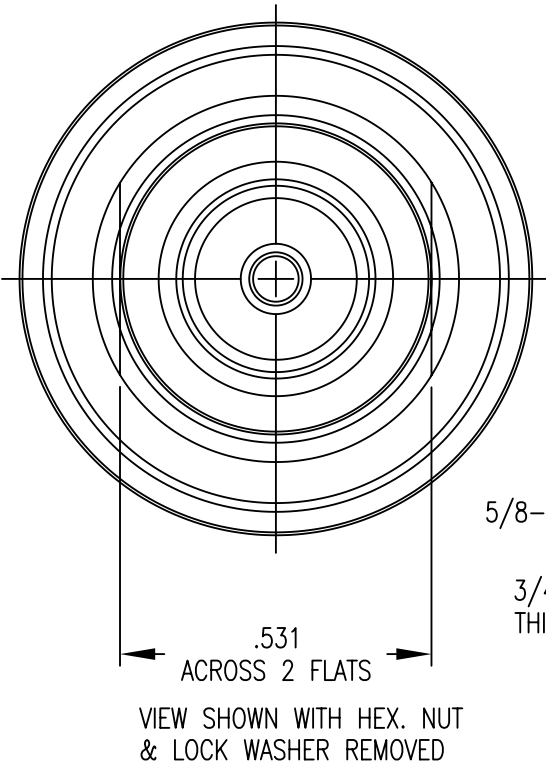


- 1.0 PERFORMANCE
- 1.1 FREQUENCY RANGE: DC-11GHz
- 1.2 VOLTAGE RANGE: 1000V RMS (sea level)
- 1.3 NOMINAL IMPEDANCE: 50 OHMS
- 1.4 DWV: 2500V RMS @ 60Hz (sea level)
- 1.5 TEMPERATURE RANGE: -65°C TO +165°C
- 2.0 MATERIALS
- 2.1 DIELECTRIC: TEFLON, ASTM-D-1710

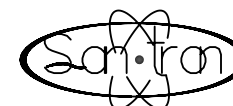
- 2.2 CENTER CONTACT: BERYLLIUM COPPER, ASTM-B-196
- 2.3 LOCKWASHER: PHOSPHOR BRONZE, ASTM-B-139
- 2.4 ALL OTHER METAL PARTS: BRASS, ASTM-B-16
- 2.5 GASKET: SILICON RUBBER, ZZ-R-765, GR. 50, RED
- 3.0 FINISHES
- 3.1 CENTER CONTACT: SILVER PLATED
- 3.2 ALL OTHER METAL PARTS: NICKEL PLATED
- 4.0 MECHANICAL
- 4.1 INTERFACE IN ACCORDANCE WITH MIL-STD-348
- 4.2 UG-160D/U SERIES SUPPLIED WITH FRICTION WASHER
- 4.3 B-18 ASSY INSTRUCTIONS

DWG NO. OL-160-1		REV. D
PART NUMBER	BODY	CONTACT
UG-160C/U	NICKEL	SILVER
UG-160D/U	NICKEL	SILVER
UG-160D/U SI	SILVER	SILVER



D	ADD UG-160D/U TO PRINT	5/1/09	FSH	FSH
C	CLEARIFY 2 DIMENSIONS	4/24/08	SJS	FSH
B <sub>2</sub>	WAS: 1.76 REF.	3/18/02	JMB	RCS
B <sub>1</sub>	DELETED: REF.	3/18/02	JMB	RCS
A	ORIGINAL	2/20/02		
Rev.	Revisions	Date	Dwn.	Appd.
RECOM. STOCK SIZE	FT/M PCS	QTY REQD		

PROPRIETARY  
THIS DRAWING CONTAINS CONFIDENTIAL INFORMATION  
PROPRIETARY TO SAN\*TRON INC. IT MUST NOT BE  
REPRODUCED OR DISCLOSED TO OTHERS OR USED IN  
ANY OTHER WAY, IN WHOLE OR PART EXCEPT AS  
AUTHORIZED IN WRITING BY SAN\*TRON INCORPORATED.



SAN • TRON, INC.

4 NEWBURYPORT TPK, IPSWICH, MA 01938

REMOVE ALL BURRS AND SHARP  
EDGES .005 MAX.  
UNLESS OTHERWISE STATED  
ALL DIMENSIONS ARE IN INCHES  
AND APPLY AFTER PLATING

TITLE TYPE N BULKHEAD  
JACK FOR RG-8 & 9/U CABLE

UNSPECIFIED TOL.	DWN	JMB	5/29/01
.XX ± .010	CHKD	SJS	2/20/02
.XXX ± .005	APPR	JO	2/20/02
FRAC. ± 1/64			

MATERIAL: SEE NOTE 2.0  
FINISH: SEE NOTE 3.0

CONCENTRICITY .004 TIR  
ALL MACHINED SURFACES

FSCM NO. 50896	DWG NO. OL-160-1	REV. D
SCALE 3:1		